

FHC-380

High Performance Microwave Coax Cable

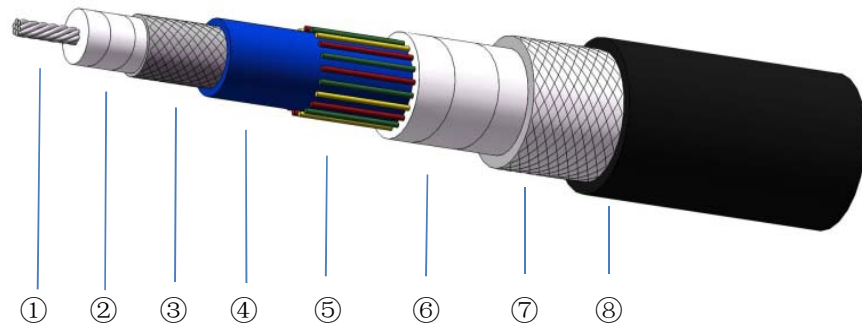
Product Description

Superlink FHC series is a high performance flexible hybrid coaxial cable. It consist of high flexible coaxial cable and direct current wire. With double jacket it is more durable than ordinary cable. It can make wiring more neat and simple. Meanwhile it make the connection system more reliable. It is used on some customized system which need to pass RF signal and DC power at same time in limited space. The hybrid configuration can vary according to customer's demand.

Feature & Benefit

- Multilayer protection
- Excellent Bending Stability
- First-class compoive performance

Product Structure

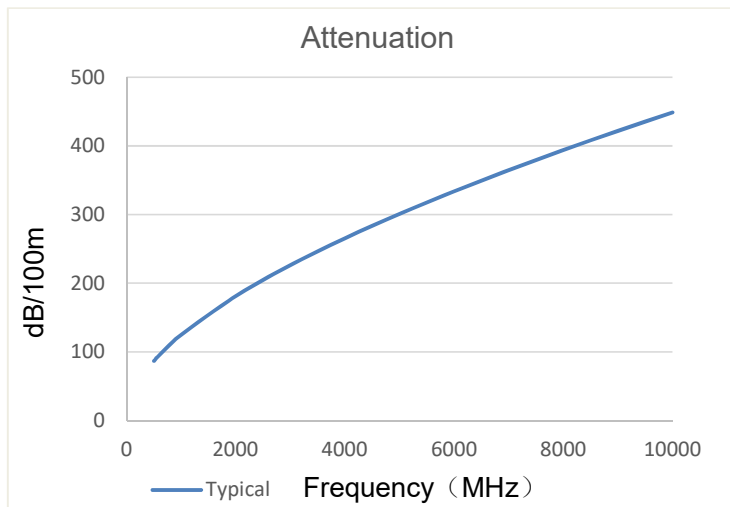


	①Center Conductor	②Dielectric	③Inner Conductor	④Inner Jacket	⑤DC Cable	⑥layer	⑦Outer shield	⑧Outer jacket
Material	SPC	LD PTFE	SPC	FEP	SPC	PTFE	SPC	PUR
Size (mm)	0.50±0.03	1.30±0.06	1.50±0.08	1.70±0.10	2.65±0.10	2.82±0.10	3.00±0.12	3.80±0.15

Specifications

Impedance	50Ω
Operation Frequency	10GHz
Velocity of Propagation	80%
Shielding Effectiveness	90dB
Voltage Withstand	500V,DC
Bend Radius:repeated	30mm
Bend Radius:installation	17mm
Weight	25g/m
Temp, Operating&Installation	-40~85°C
Temp,Storage	-40~85°C

Attenuation (Typical@25°C VSWR=1.0)



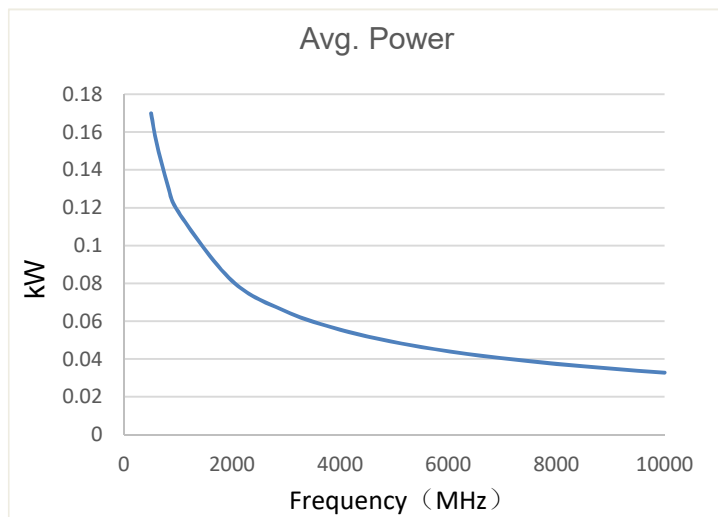
Frequency(MHz)	Attenuation (dB/100m)
500	86.7
600	95.4
800	111.0
1000	124.9
2000	181.2
3000	226.3
4000	265.5
5000	301.0
6000	333.9
7000	364.7
8000	393.9
9000	421.9
10000	448.8

$$K1= 3.700000$$

$$K2= 0.007875$$

$$\text{Attenuation}=K1* \sqrt{F}+K2*F$$

Power (40°C VSWR=1.0 Sea Level)



Frequency(MHz)	Avg.Power (kW)
500	0.170
600	0.155
800	0.133
1000	0.118
2000	0.081
3000	0.065
4000	0.055
5000	0.049
6000	0.044
7000	0.040
8000	0.037
9000	0.035
10000	0.033

Ver A-1