

FHC-500

High Performance Microwave Coax Cable

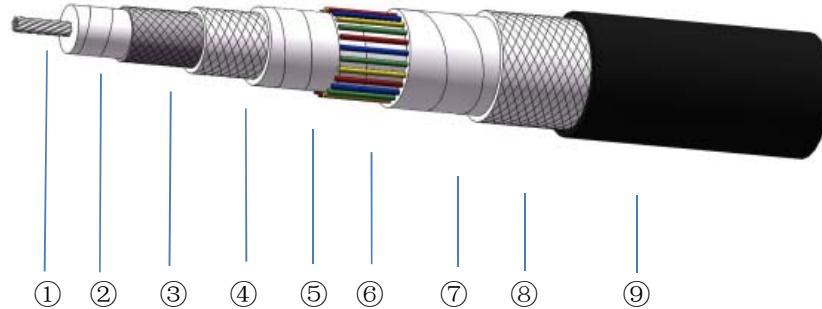
Product Description

Superlink FHC series is a high performance flexible hybrid coaxial cable. It consist of high flexible coaxial cable and direct current wire. With double jacket it is more durable than ordinary cable. It can make wiring more neat and simple. Meanwhile it make the connection system more reliable. It is used on some customized system which need to pass RF signal and DC power at same time in limited space. The hybrid configuration can vary according to customer's demand.

Feature & Benefit

- Multilayer protection
- Excellent Bending Stability
- First-class compoive performance

Product Structure

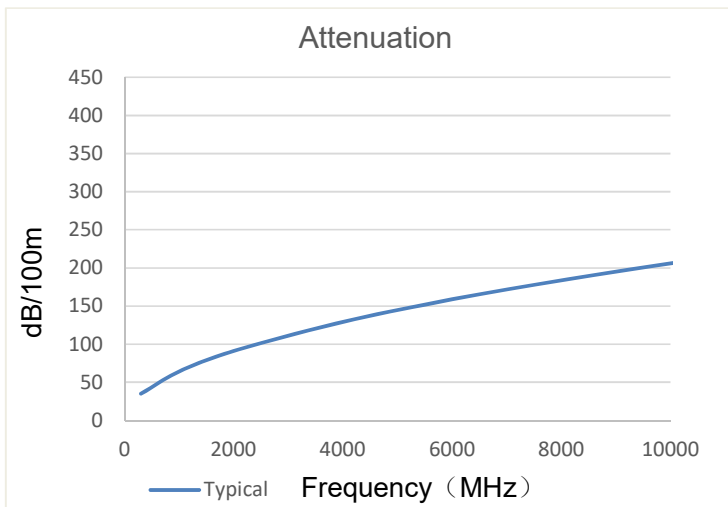


	①Center Conductor	②Dielectric	③Inner Conductor	④Inner Shield	⑤Inner Jacket	⑥DC Cable	⑦Layer	⑧Outer Shieldt	⑨Jacket
Material	SPC	LD PTFE	SPC	SPC	PTFE	SPC	PTFE	SPC	PUR
Size (mm)	0.72±0.03	2.05.±0.05	2.21±0.05	2.60±0.05	2.85±0.08	3.75±0.10	3.95±0.10	4.15±0.12	5.00±0.15

Specifications

Impedance	50Ω
Operation Frequency	40GHz
Velocity of Propagation	74%
Shielding Effectiveness	90dB
Voltage Withstand	500V,DC
Bend Radius:repeated	28mm
Bend Radius:installation	44mm
Weight	45g/m
Temp, Operating&Installation	-40~85°C
Temp,Storage	-40~85°C

Attenuation (Typical@25°C VSWR=1.0)



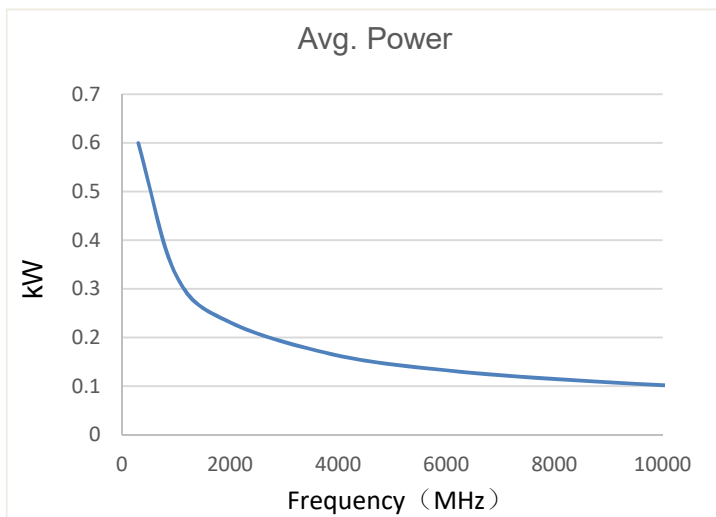
Frequency(MHz)	Attenuation (dB/100m)
300	35.0
1000	64.2
2000	91.0
4000	129.2
6000	158.8
8000	183.8
10000	206.0
12000	226.1
14000	244.7
18000	278.4
20000	293.9
26500	339.8
40000	420.8

$$K1= 2.015787$$

$$K2= 0.000440$$

$$\text{Attenuation}=K1* \sqrt{F}+K2*F$$

Power (40°C VSWR=1.0 Sea Level)



Frequency(MHz)	Avg.Power (kW)
300	0.600
1000	0.328
2000	0.231
4000	0.163
6000	0.132
8000	0.114
10000	0.102
12000	0.093
14000	0.086
18000	0.076
20000	0.072
26500	0.062
40000	0.050

Ver A-1