

LLF-600

High Performance Microwave Coax Cable

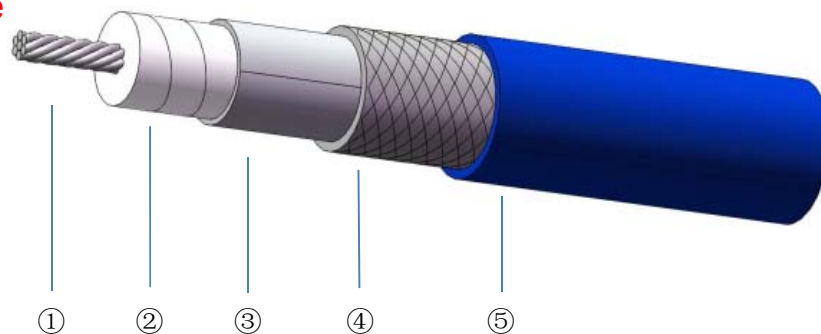
Product Description

Superlink LLF series coaxial cable is cost-effective low loss flexible cable. It is designed to be installed in narrow and small space. The center conductor is stranded silver-plated copper which makes LLF series more flexible. It can keep phase stable while bending. Meanwhile, LLF cables offer higher operating temperature range, lower loss and better RF shielding than traditional foam PE cables.

Feature & Benefit

- 76%Vp LD PTFE+AL Foil
- Great cost performance
- Excellent Flexibility

Product Structure

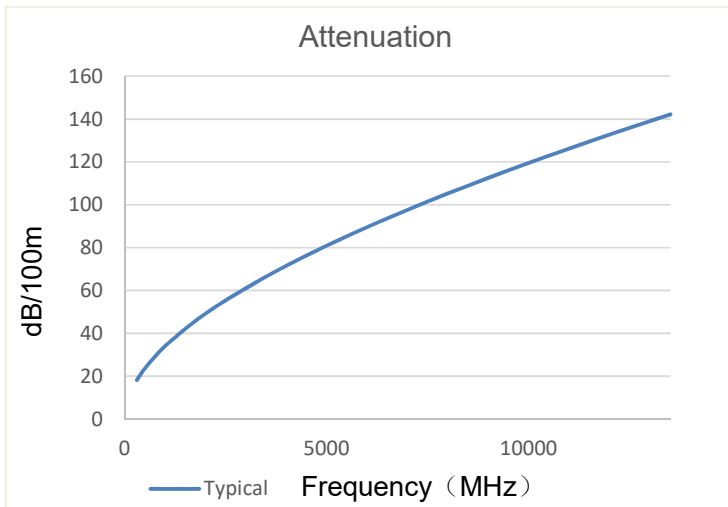


	①Center Conductor	②Dielectric	③Outer Conductor	④Outer shield	⑤Jacket
Material	SPC(Strand)	LD PTFE	AL-foil	SPC	PUR
Size (mm)	1.45±0.02	4.20±0.06	4.28±0.06	4.73±0.07	6.00±0.20

Specifications

Impedance	50Ω
Operation Frequency	13.5GHz
Velocity of Propagation	76%
Shielding Effectiveness	90dB
Voltage Withstand	1500V,DC
Time Delay	4.38ns/m
Phase Stability(Bending)	±5° 13.5GHz
Amplitude Stability	±0.10dB 13.5GHz
Bend Radius:repeated	60mm
Bend Radius:installation	20mm
Weight	63g/m
Temp, Operating&Installation	-55~85°C
Temp,Storage	-55~85°C

Attenuation (Typical@25°C VSWR=1.0)



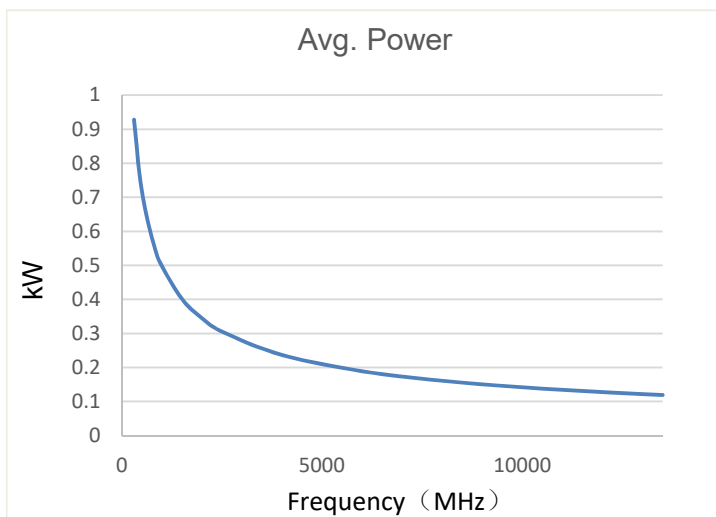
Frequency(MHz)	Attenuation (dB/100m)
300	18.3
500	23.8
800	30.3
1000	34.1
1500	42.3
2000	49.2
2500	55.5
4000	71.7
6000	89.6
8000	105.3
10000	119.6
12000	132.8
13500	142.2

$$K1= 1.024560$$

$$K2= 0.001713$$

$$\text{Attenuation}=K1*\sqrt{F}+K2*F$$

Power (40°C VSWR=1.0 Sea Level)



Frequency(MHz)	Avg.Power (kW)
300	0.928
500	0.713
800	0.558
1000	0.497
1500	0.401
2000	0.344
2500	0.305
4000	0.236
6000	0.189
8000	0.161
10000	0.142
12000	0.128
13500	0.119

Ver A-1