

Sbend-320

High Performance Microwave Coax Cable

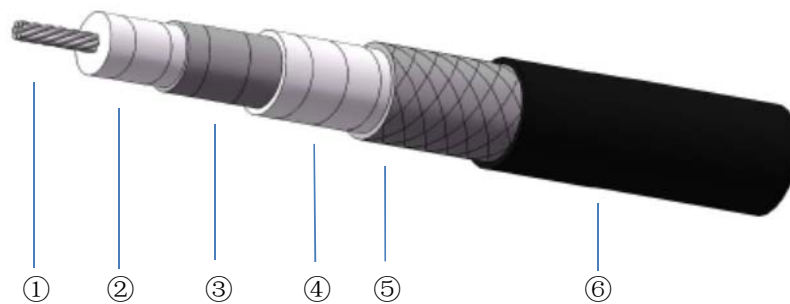
Product Description

Surperlink Sbend series coaxial cable is an ultra-flexible phase stable cable. It is built with flexible material with rational design. Meanwhile, it has good phase stability. Attenuation and VSWR won't fluctuate rapidly while bending. It is applied to special application condition like narrow space or frequent bending.

Feature & Benefit

- 74%Vp PTFE Tape+SPC Foil
- Multi-layer protection,excellent stability
- Excellent Softness

Product Structure

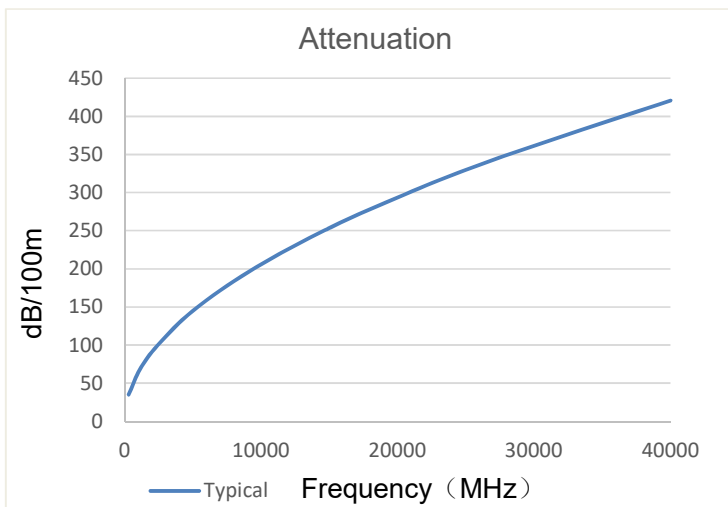


	①Center Conductor	②Dielectric	③Outer Conductor	④Inner Layer	⑤Outer shield	⑥Jacket
Material	SPC	LD PTFE	SPC	PET	SPC	PTFE or PUR
Size (mm)	0.72±0.03	2.05±0.05	2.21±0.05	2.26±0.05	2.60±0.05	3.20±0.10

Specifications

Impedance	50Ω
Operation Frequency	40GHz
Velocity of Propagation	74%
Shielding Effectiveness	90dB
Voltage Withstand	1000V,DC
Phase Stability(Tem)	600PPM(-55~85°C)
Phase Stability(Bending)	±5° 40GHz
Amplitude Stability	±0.05dB 40GHz
Bend Radius:repeated	30mm
Bend Radius:installation	15mm
Weight	26g/m
Temp, Operating&Installation	-55~165°C
Temp,Storage	-65~165°C

Attenuation (Typical@25°C VSWR=1.0)



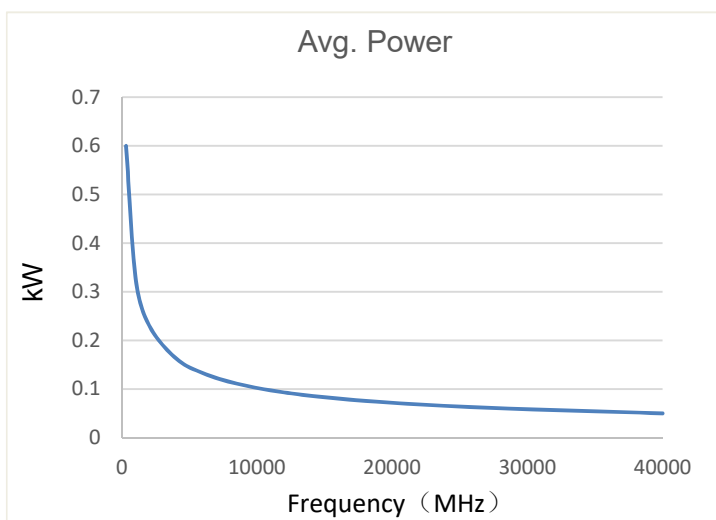
Frequency(MHz)	Attenuation (dB/100m)
300	35.0
1000	64.2
2000	91.0
4000	129.2
6000	158.8
8000	183.8
10000	206.0
12000	226.1
14000	244.7
15000	253.5
18000	278.4
26500	339.8
40000	420.8

$$K1= 2.015787$$

$$K2= 0.0004400$$

$$\text{Attenuation}=K1* \sqrt{F}+K2*F$$

Power (40°C VSWR=1.0 Sea Level)



Frequency(MHz)	Avg.Power (kW)
300	0.600
1000	0.328
2000	0.231
4000	0.163
6000	0.132
8000	0.114
10000	0.102
12000	0.093
14000	0.086
15000	0.083
18000	0.076
26500	0.062
40000	0.050

Ver A-1