

SPO-120

High Performance Microwave Coax Cable

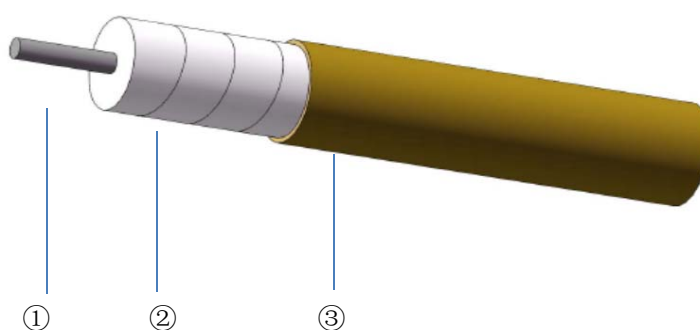
Product Description

Superlink SPO series is an optimized version of traditional semi-rigid cable. It offers a lower loss, less weight and wider temperature range due to it adopts advanced PTFE wrapped dielectric to replace the solid PTFE dielectric. Meanwhile it has superior shielding effectiveness and corrosion resistance. It is applied to interconnection between cards, satellite communication, feed network, etc.

Feature & Benefit

- LD PTFE Tape
- Ultra low loss,excellent size stable vs.temp

Product Structure

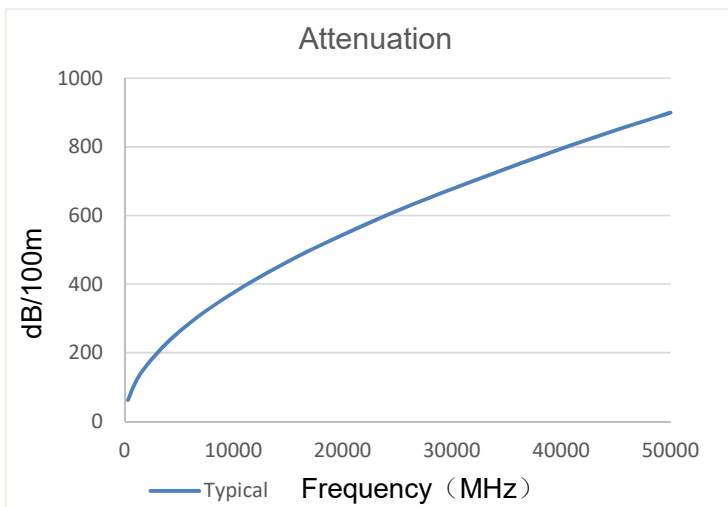


	①Center Conductor	②Dielectric	③Outer Conductor
Material	SPC	LD PTFE	Seamless Copper Tube
Size (mm)	0.31±0.02	0.94±0.05	1.20±0.05

Specifications

Impedance	50Ω
Operation Frequency	50GHz
Velocity of Propagation	76%
Shielding Effectiveness	165dB
Voltage Withstand	300V,DC
Bend Radius:installation	4mm
Weight	6g/m
Temp, Operating&Installation	-55~250℃
Temp,Storage	-65~250℃

Attenuation (Typical@25°C VSWR=1.0)



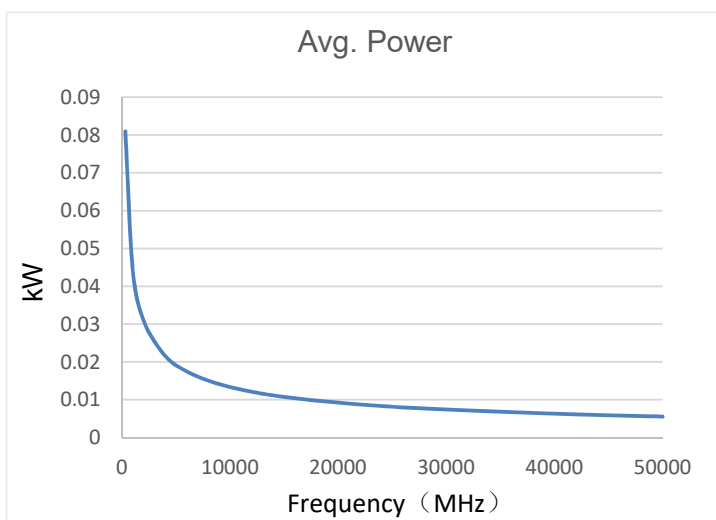
Frequency(MHz)	Attenuation (dB/100m)
300	62.0
1000	114.2
2000	162.7
4000	232.6
6000	287.3
8000	334.1
10000	375.8
12000	413.9
14000	449.3
18000	514.0
26500	633.7
40000	794.6
50000	899.8

$$K1= 3.542244$$

$$K2= 0.002155$$

$$\text{Attenuation}=K1* \sqrt{F}+K2*F$$

Power (40°C VSWR=1.0 Sea Level)



Frequency(MHz)	Avg.Power (kW)
300	0.081
1000	0.044
2000	0.031
4000	0.022
6000	0.017
8000	0.015
10000	0.013
12000	0.012
14000	0.011
18000	0.010
26500	0.008
40000	0.006
50000	0.006

Ver A-1