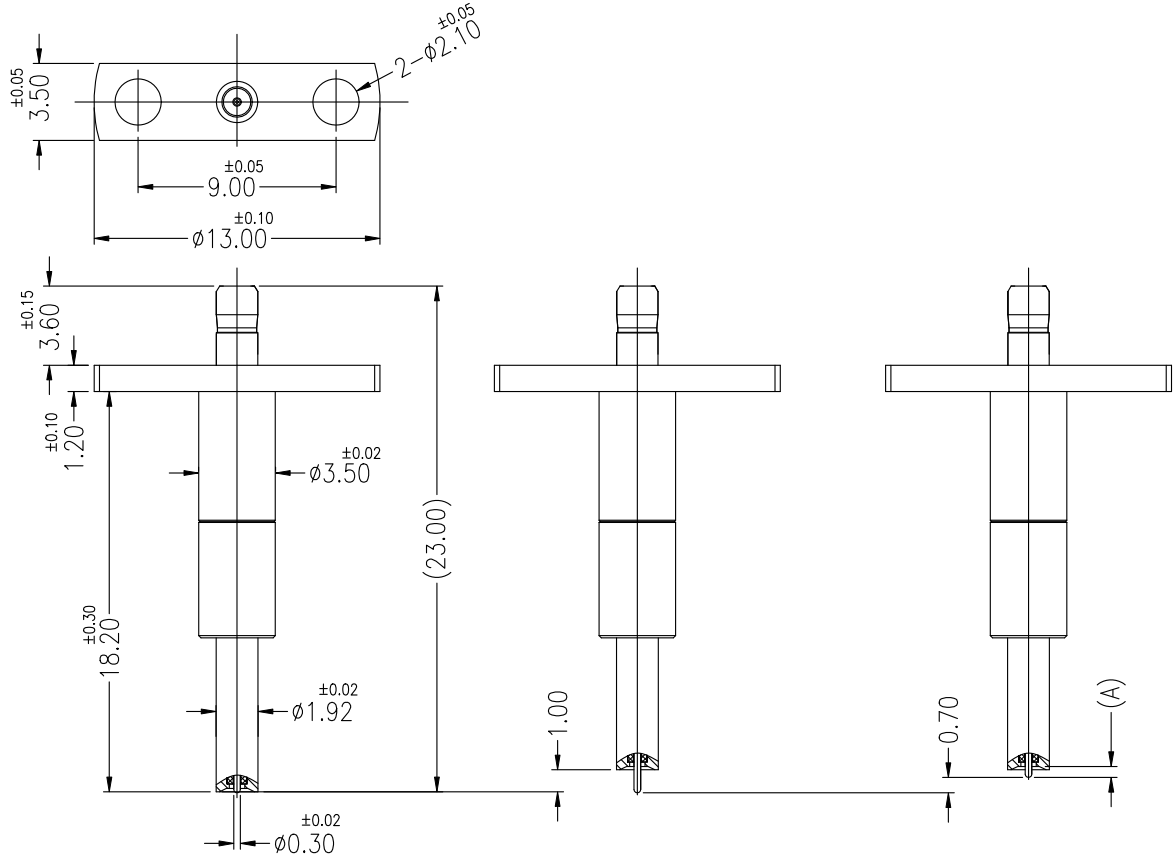


REV.	DESCRIPTION	ECN NO.	NAME	DATE
0	FIRST EDITION	N/A	Flame	2022-08-22



ALL PARTS MUST MEET TO RoHS REQUIREMENTS



MATERIALS AND PLATING) UNIT: MICRO-INCHES			
PART TYPE	PART NAME	MATERIALS	PLATING
ML51/F TO RF 6/M	BODY	BRASS C3604	PL.NICKEL/COPPER
	OUTER	BERYLLIUM COPPER	PL.GOLD/NICKEL/COPPER
	CONTACT PIN	BERYLLIUM COPPER	PL.GOLD/NICKEL/COPPER
	INSULATOR	PTFE MIL-P-19468	N/A

ELECTRICAL CHARACTERISTICS		
Impedance	50 Ω	
Voltage rating	170 V(rms)	
Frequency range	0 ~ 12 GHz	
Dielectric withstanding voltage	> 500 V	
Contact resistance	Center contact	< 50.0 m Ω
	Outer contact	< 20.0 m Ω
Insulation resistance	> 500 M Ω	
VSWR	< 1.3 @ DC~8 GHz	
	< 1.8 @ 8~12 GHz	
插入损耗 (Insertion loss)	< 0.8 dB @ DC~12 GHz	

MECHANICAL CHARACTERISTICS	
Durability(ML51)	> 500 cycles
Durability(VI G SWITCH)	> 20000 cycles

环境参数 (ENVIRONMENTAL PARAMETER)	
工作温度 (Temperature range)	-40 $^{\circ}$ C ~ +125 $^{\circ}$ C

* CUSTOMER OUTLINE DRAWING

UNLESS OTHERWISE SPECIFIED:
 1) EDGES : N/A ;
 2) REMOVE ALL BURRS : N/A ;
 3) SURFACE ROUGHNESS : N/A ;
 4) UNITS : mm ;
 5) DIMENSIONS TOLERANCES
 DECIMALS : .x ± 5 , .xx ± 2 , .xxx ± 1 ;
 ANGLES : $\pm 10^{\circ}$.

THIRD ANGLE PROJECTION	
APPROVED :	CUSTOMER P/N :
CHECKED :	SCALE :
DRAWING :	DATE :
Flame	2022-08-22
PAGE : 1/1	

TITLE : ML51 J TO RF SWITCH 6 Adapter
 DRAWING NO. : T-5MLF06S-U6M
 COMPANY WEBSITE : www.slkcorp.com