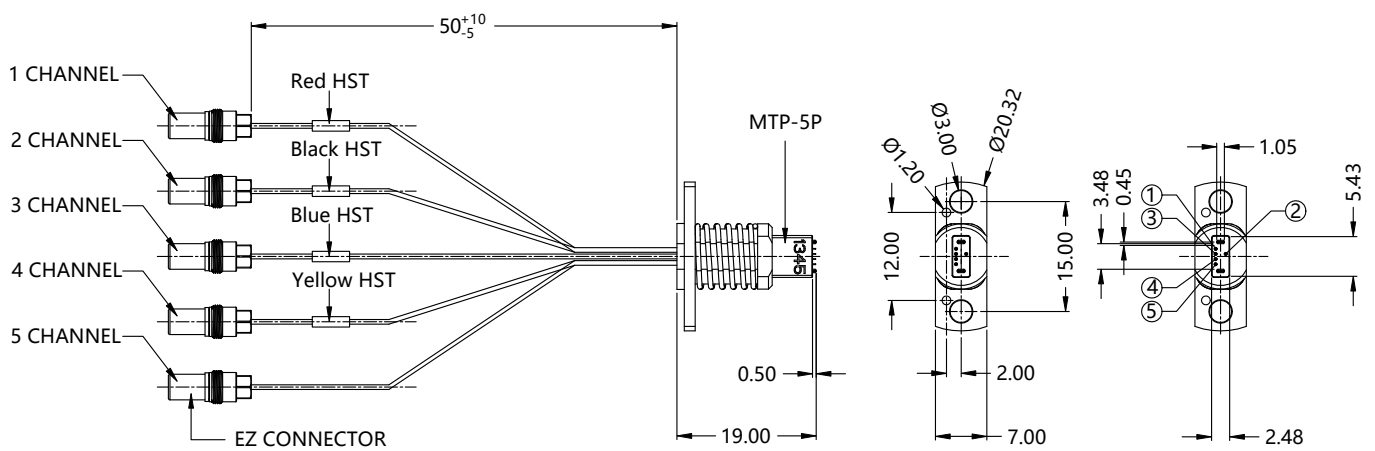


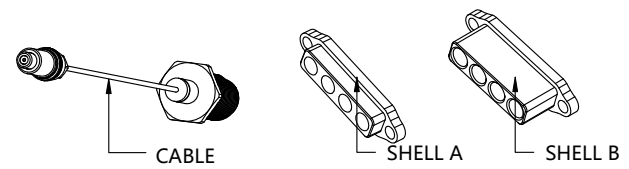
REV.	DESCRIPTION	ECN NO.	NAME	DATE
0	FIRST EDITION	N/A	Flame	2021-09-22



ALL PARTS MUST MEET TO RoHS REQUIREMENTS



USED WITH SMA FEMALE TO EZ MALE CABLE AND SHELL A AND SHELL B CABLE:  
 P/N(SLK):T-EZMSMAFS453-035001(1/5) LENGTH: 350mm QTY: 1 (PCS)  
 P/N(SLK):T-EZMSMAFS453-035002(2/5) LENGTH: 350mm QTY: 1 (PCS)  
 P/N(SLK):T-EZMSMAFS453-035003(3/5) LENGTH: 350mm QTY: 1 (PCS)  
 P/N(SLK):T-EZMSMAFS453-035004(4/5) LENGTH: 350mm QTY: 1 (PCS)  
 P/N(SLK):T-EZMSMAFS453-035005(5/5) LENGTH: 350mm QTY: 1 (PCS)  
 SHELL:  
 SHELL A P/N(SLK):T-SHEZ0880/BR/N6 QTY: 2(PCS)  
 SHELL B P/N(SLK):T-SHEZ0890/BR/N6 QTY: 2 (PCS)



**MATERIALS AND PLATING UNIT: MICRO-INCHES**

PART TYPE	PART NAME	MATERIALS	PLATING
MTP S/T MALE	BODY	BRASS C3604	GOLD 5 u"/NICKEL/COPPER
	INSULATOR	PTFE MIL-P-19468	N/A
	CONTACT PIN	BERYLLIUM COPPER	GOLD 10 u"/NICKEL/COPPER
	SPRING	STAINLESS STEEL	PASSIVATION
EZ S/T FEMALE	BODY	BRASS C3604	GOLD 5 u"/NICKEL/COPPER
	INSULATOR	PTFE MIL-P-19468	N/A
	CONTACT PIN	BRASS C3604	GOLD 10 u"/NICKEL/COPPER
CABLE	064 CABLE		
OTHER	HEAT SHRINK TUBE		

**ELECTRICAL CHARACTERISTICS**

Impedance	50 Ω	
Voltage rating	30 V(rms)	
Frequency range	DC ~ 6 GHz	
Dielectric withstanding voltage	AC200V r.m.s,1minute	
Contact resistance	Center contact	<10 mΩ
	Outer contact	<5.0 mΩ
Insulation resistance	>500 MΩ	
Insertion loss	<2.0 dB @DC~6GHz	
VSWR	<1.35 @DC~ 3 GHz	
	<1.5 @ 3~6 GHz	
3rd Intermodulation	N/A	

**MECHANICAL CHARACTERISTICS**

Cable static bending radius	5mm MIN.
Durability(MTP)	>20000 cycles
Durability(EZ)	>20000 cycles

**ENVIRONMENTAL PARAMETER**

Temperature range	-40°C~+80°C
Protection grade	N/A

**\* CUSTOMER OUTLINE DRAWING**

UNLESS OTHERWISE SPECIFIED:  
 1) EDGES : C0.15 MAX ;  
 2) REMOVE ALL BURRS ;  
 3) SURFACE ROUGHNESS : Ra1.6 ;  
 4) UNITS : mm ;  
 5) DIMENSIONS TOLERANCES  
 DECIMALS : .x ±0.2 .xx ±0.1 .xxx±0.05;  
 ANGLES : ± 5°.

THIRD ANGLE PROJECTION	
APPROVED :	CUSTOMER P/N :
CHECKED :	SCALE :
DRAWING :	DATE :
Flame	2021-09-22
	PAGE : 1/1



TITLE : MTP MALE S/T TO EZ FEMALE S/T FOR SY064 CABLE  
 DRAWING NO. : T-EZFSMTMS453-005005  
 COMPANY WEBSITE : www.slkcorp.com

CUSTOMER OUTLINE DRAWING