
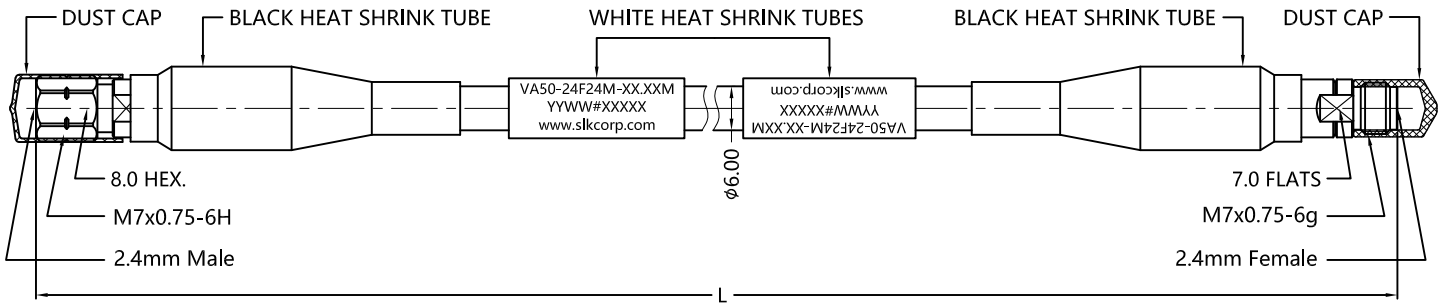


REV.	DESCRIPTION	ECN NO.	NAME	DATE	 ALL PARTS MUST MEET TO RoHS REQUIREMENTS
0	FIRST EDITION	N/A	YWD	2021-07-13	



4	VA50-24F24M-02.00M	2000 ⁺³⁰ ₀	<7.3
3	VA50-24F24M-01.50M	1500 ⁺³⁰ ₀	<5.6
2	VA50-24F24M-01.00M	1000 ⁺²⁰ ₀	<4.3
1	VA50-24F24M-00.50M	500 ⁺¹⁰ ₀	<2.7
NO.	DRAWING NO.	L(LENGTH,mm)	INSERTION LOSS(dB)

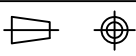

MATERIALS AND PLATING UNIT: MICRO-INCHES			
PART TYPE	PART NAME	MATERIALS	PLATING
2.4mm MALE & FEMALE	BODY/SHELL	STAINLESS STEEL	PASSIVATION
	INSULATOR	PEI	N/A
	CONTACT PIN	BERYLLIUM COPPER	GOLD /COPPER
	DUST CAP	PVC	BLACK
CABLE	TEST CABLE		

ELECTRICAL CHARACTERISTICS	
IMPEDANCE	50 Ω
VOLTAGE RATING	250 V(rms)
FREQUENCY RANGE	DC ~ 50 GHz
DIELECTRIC WITHSTANDING VOLTAGE	>750 V
INSULATION RESISTANCE	>500 MΩ
INSERTION LOSS	See Tables
VSWR	<1.30
RF- LEAKAGE	>90 dB
MECHANICAL PHASE STABILITY	≤±6°
MECHANICAL AMPLITUDE STABILITY	<±0.05 dB

MECHANICAL CHARACTERISTICS	
MIN. BENDING RADIUS ,STATIC	30 mm
MIN. BENDING RADIUS ,REPEATED	60 mm
RECOMMENDED COUPLING TORQUE	7-10 in-lbs
COUPLING NUT RETENTION FORCE	>60 lbs
DURABILITY	>500 cycles
CABLE RETENTION FORCE	>60 lbs
CRUSH RESISTANCE	40 KN/M

ENVIRONMENTAL PARAMETER	
TEMPERATURE RANGE	-40 °C~+85 °C

CUSTOMER OUTLINE DRAWING

* CUSTOMER OUTLINE DRAWING				
UNLESS OTHERWISE SPECIFIED: 1) EDGES : N/A ; 2) REMOVE ALL BURRS : N/A ; 3) SURFACE ROUGHNESS : N/A ; 4) UNITS : mm ; 5) DIMENSIONS TOLERANCES DECIMALS : .x ±5, .xx ±2, .xxx±1; ANGLES : ±10°.	THIRD ANGLE PROJECTION			
	APPROVED :			CUSTOMER P/N :
	CHECKED :	SCALE :	1 : 1	TITLE : 2.4mm FEMALE S/T TO 2.4mm MALE S/T FOR TEST CABLE
	DRAWING :	DATE :	2021-07-13	DRAWING NO. : VA50-24F24M-XXXXM(See Tables)
COMPANY WEBSITE : www.slkcorp.com				