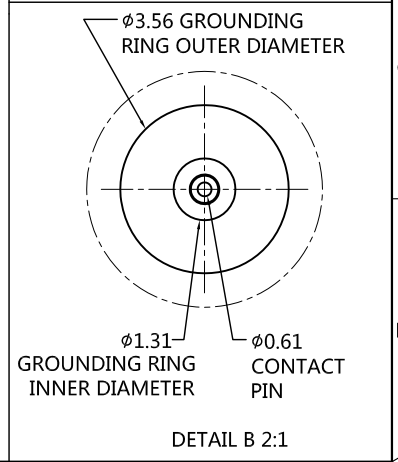
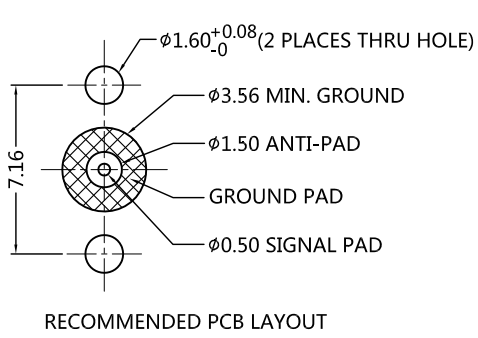
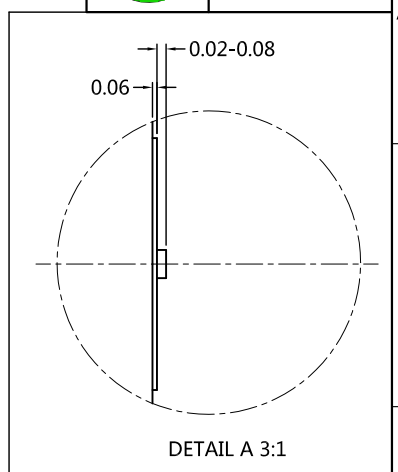
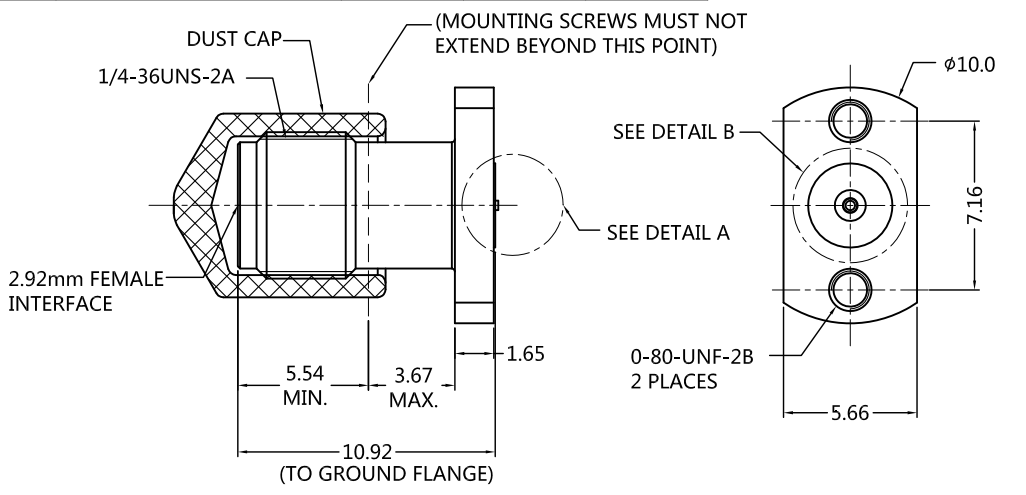


REV.	DESCRIPTION	ECN NO.	NAME	DATE
A0	FIRST EDITION	N/A	WYJ	2018-07-20
A1	NEW FRAME	N/A	HYH	2020-07-20



ALL PARTS MUST MEET TO RoHS REQUIREMENTS



MATERIALS AND PLATING		UNIT: MICRO-INCHES
PART NAME	MATERIALS	PLATING
BODY	STAINLESS STEEL	PASSIVATE
CONTACT PIN	Be-Cu C17300	GOLD PL.30u"/NICKEL/COPPER
INSULATOR	ENGINEERING PLASTICS	N/A
DUST CAP	PVC	BLACK

ELECTRICAL CHARACTERISTICS		
IMPEDANCE	50 Ω	
VOLTAGE RATING	335 V(rms)	
FREQUENCY RANGE	0 ~ 40 GHz	
DIELECTRIC WITHSTANDING VOLTAGE	500 V	
CONTACT RESISTANCE	CENTER CONTACT	<3.0 mΩ
	OUTER CONTACT	<2.0 mΩ
INSULATION RESISTANCE	>5000 MΩ	
INSERTION LOSS	<0.10x√F(GHz) dB	
RETURN LOSS	N/A	
VSWR	<1.2	
3RD INTERMODULATION	N/A	

MECHANICAL CHARACTERISTICS	
FORCE TO ENGAGE AND DISENGAGE	< 4.5 N
CENTER CONTACT RETENTION FORCE	> 26 N
RECOMMENDED COUPLING TORQUE	N/A
COUPLING NUT RETENTION FORCE	N/A
DURABILITY	>500 cycles

ENVIRONMENTAL PARAMETER	
TEMPERATURE RANGE	-40 °C~+125 °C

CUSTOMER OUTLINE DRAWING

**\* CUSTOMER OUTLINE DRAWING**

UNLESS OTHERWISE SPECIFIED:  
 1) EDGES : C0.15 MAX ;  
 2) REMOVE ALL BURRS ;  
 3) SURFACE ROUGHNESS : Ra1.6 ;  
 4) UNITS : mm ;  
 5) DIMENSIONS TOLERANCES  
 DECIMALS : .x ±0.3 .xx ±0.2 .xxx±0.1;  
 ANGLES : ± 5°.

THIRD ANGLE PROJECTION	
APPROVED :	CUSTOMER P/N :
CHECKED :	SCALE :
DRAWING :	DATE :
HYH	2020-07-20
	PAGE : 1/1

TITLE : 2.92mm FEMALE S/T, FIELD REPLA CEABLE,50Ω  
 DRAWING NO. : 5P9F84S-H21  
 COMPANY WEBSITE : www.slkcorp.com