

1	2	3	4	5	6
版本(REV.)	描述(DESCRIPTION)	变更号(ECN NO.)	签名(NAME)	日期(DATE)	
A0	FIRST EDITION	N/A	WYJ	2017-02-10	
A1	UPDATED THE DRAWING	N/A	YWD	2018-03-22	

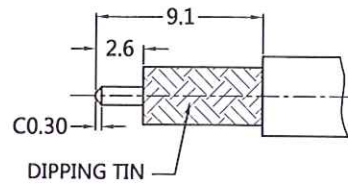


所有物料及工艺
必须符合
ROHS要求

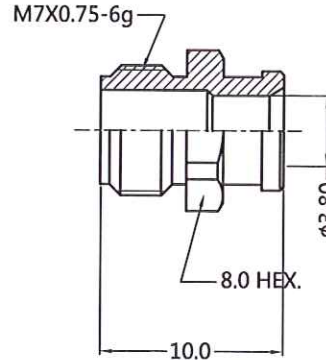
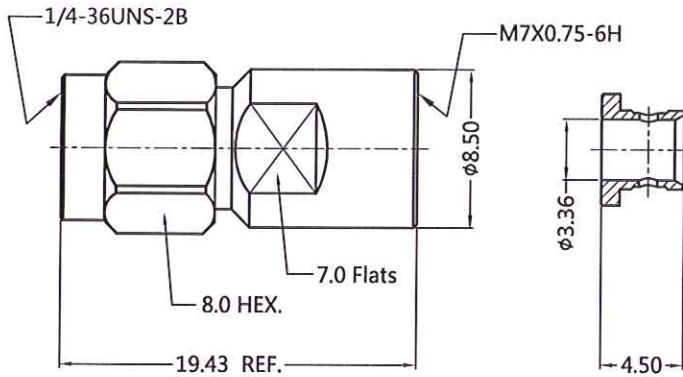
ALL PARTS MUST
MEET TO RoHS
REQUIREMENTS

REMARKS:

- 1.ADDS SIZE:11.63 mm
- 2.CONTACT PIN TO CAPTIVE
- 3.FERRULE TO SOLDER



RECOMMENDED CABLE STRIPPING DIM'S



材料与电镀 (MATERIALS AND PLATING) UNIT: MICRO-INCHES		
主体/外壳 BODY/SHELL	不锈钢SUS303 STAINLESS STEEL	钝化 PASSIVATION
中心针 CONTACT PIN	铍铜C17300 Be-Cu C17300	铜底,镍底,镀金50u" GOLD 50u"/NICKEL/COPPER
绝缘体 INSULATOR	工程塑料 ENGINEERING PLASTICS	N/A
焊杯 FERRULE	黄铜 BRASS C3604	铜底,镍底,镀金10u" GOLD 10u"/NICKEL/COPPER
固定筒 BARREL	不锈钢SUS303 STAINLESS STEEL	钝化 PASSIVATION

电气性能 (ELECTRICAL CHARACTERISTICS)					
特性阻抗 (Impedance)	50 Ω				
工作电压 (Voltage rating)	335 V(rms)				
频率范围 (Frequency range)	0 ~ 40GHz				
介质耐压 (Dielectric withstanding voltage)	500 V				
接触电阻 (Contact resistance)	<table border="1"> <tr> <td>内导体 (Center contact)</td> <td><3.0 mΩ</td> </tr> <tr> <td>外导体 (Outer contact)</td> <td><2.0 mΩ</td> </tr> </table>	内导体 (Center contact)	<3.0 mΩ	外导体 (Outer contact)	<2.0 mΩ
内导体 (Center contact)	<3.0 mΩ				
外导体 (Outer contact)	<2.0 mΩ				
绝缘电阻 (Insulation resistance)	>5000MΩ				
插入损耗 (Insertion loss)	根据电缆特性(According to the cable)				
射频泄漏 (RF- leakage)	N/A				
电压驻波比 (VSWR)	≤1.30				
三阶互调 (3rd Intermodulation)	N/A				

机械特性 (MECHANICAL CHARACTERISTICS)	
插拔力 (Force to engage and disengage)	N/A
中心针保持力 (Center contact retention force)	>6 lbs
螺母扭力 (Recommended coupling torque)	7-10 in-lbs
螺母拉力 (Coupling nut retention force)	≥ 60 lbs
机械耐久性 (Durability)	≥ 500 cycles

环境参数 (ENVIRONMENTAL CHARACTERISTICS)	
工作温度 (Temperature range)	-40 °C~+125 °C

CUSTOMER OUTLINE DRAWING

除非特别声明 (UNLESS OTHERWISE SPECIFIED) :
 1)未注倒角 (EDGES) : C0.15 MAX;
 2)去除各处毛刺 (REMOVE ALL BURRS) ;
 3)表面光洁度 (SURFACE ROUGHNESS) : Ra1.6;
 4)单位 : 毫米 (UNITS:mm) ;
 5)未标注尺寸公差 (DIMENSIONS TOLERANCES)
 小数 (DECIMALS) .x ±0.3 .xx ±0.2 .xxx±0.1
 角度 (ANGLES) ±5°

第三视角 (THIRD ANGLE PROJECTION)	
批准(APPROVED): <i>Arming 2018</i>	客户料号(CUSTOMER P/N): 04-MS023
审核(CHECKED): <i>Arming 03.22</i>	比例(SCALE): 1:1
制图(DRAWING): <i>Arming</i>	日期(DATE): 2018-03-22
公司网址(COMPANY WEBSITE): www.slkcorp.com	

标题(TITLE):
2.92mm MALE S/T FOR SLB-360 CABLE

图号(DRAWING NO.):
5P9M15S-A470-010