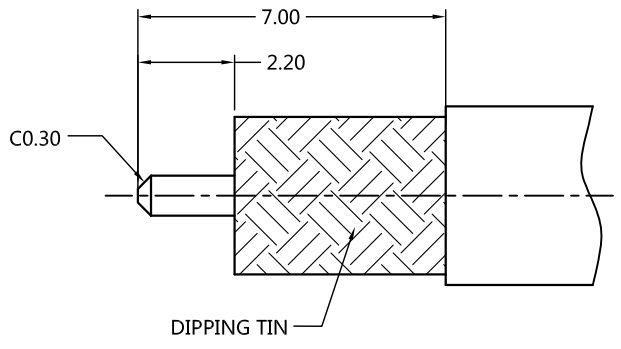


REV	DESCRIPTION	ECN NO	NAME	DATE
A0	FIRST EDITION	N/A	WYJ	2017-11-28
A1	NEW FRAME	N/A	LW	2020-07-15

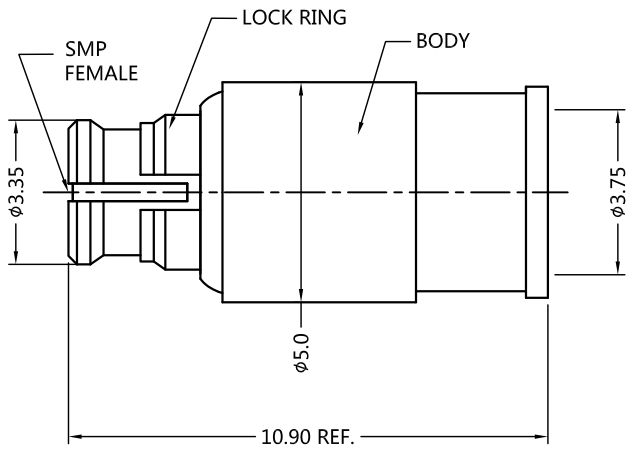
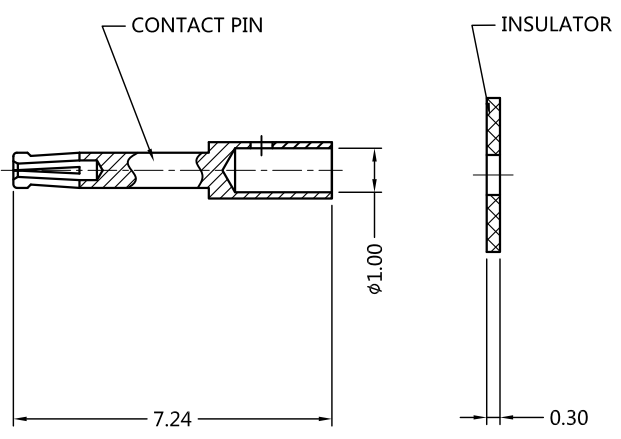


ALL PARTS MUST MEET TO RoHS REQUIREMENTS

REMARKS:
 1. ADDS SIZE: 5.4mm
 2. CONTACT PIN TO SOLDER



RECOMMENDED CABLE STRIPPING DIM'S



MATERIALS AND PLATING		UNIT: MICRO-INCHES
BODY	BRASS	GOLD 15 u"/NICKEL/COPPER
CONTACT PIN	BERYLLIUM COPPER	GOLD 30 u"/NICKEL/COPPER
INSULATOR	PTFE ASTM-D-1710	N/A
LOCK RING	BERYLLIUM COPPER	GOLD 15 u"/NICKEL/COPPER
OUTER CONTACT	BERYLLIUM COPPER	GOLD 15 u"/NICKEL/COPPER

ELECTRICAL CHARACTERISTICS	
IMPEDANCE	50 Ω
VOLTAGE RATING	175 V(rms)
FREQUENCY RANGE	0~18 GHz
DIELECTRIC WITHSTANDING VOLTAGE	>500 V
CONTACT RESISTANCE	CENTER CONTACT <math><6.0\text{ m}\Omega</math>
	OUTER CONTACT <math><3.0\text{ m}\Omega</math>
INSULATION RESISTANCE	>5000 M Ω
INSERTION LOSS	<math><0.05\sqrt{f}\text{ dB}</math>
VSWR	<math><1.03+0.02\text{ F(GHz)}</math>
3RD INTERMODULATION	N/A

MECHANICAL CHARACTERISTICS		
CENTER CONTACT RETENTION FORCE	N/A	
FORCE TO ENGAGE AND DISENGAGE	FULL DETENT	<15 lbs (ENGAGE FORCE)
		>5 lbs (DISENGAGE FORCE)
	LIMITED DETENT	<10 lbs (ENGAGE FORCE)
		>2 lbs (DISENGAGE FORCE)
	SMOOTH BORE	<2 lbs (ENGAGE FORCE)
		>0.5 lbs (DISENGAGE FORCE)
DURABILITY	>100 cycles (FULL DETENT); >500 cycles (SMOOTH BORE)	

ENVIRONMENTAL CHARACTERISTICS	
TEMPERATURE RANGE	-40 $^{\circ}\text{C}$ ~ +125 $^{\circ}\text{C}$
THERMAL SHOCK	MIL- STD 202, Meth. 107, Cond. B
VIBRATION	MIL- STD 202, Meth. 204, Cond. D
SHOCK	MIL- STD 202, Meth. 213, Cond. I

CUSTOMER OUTLINE DRAWING

* CUSTOMER OUTLINE DRAWING

UNLESS OTHERWISE SPECIFIED:
 1) C0.15 MAX;
 2) REMOVE ALL BURRS;
 3) SURFACE ROUGHNESS : Ra1.6;
 4) UNITS:mm;
 5) DIMENSIONS TOLERANCES
 DECIMALS .x ± 0.3 .xx ± 0.2 .xxx ± 0.1
 ANGLES $\pm 5^{\circ}$

THIRD ANGLE PROJECTION		
APPROVED:	CUSTOMER P/N:	-
CHECKED:	SCALE:	6:1
DRAWING:	DATE:	2020-07-15
COMPANY WEBSITE: www.slkcorp.com		

TITLE: SMP FEMALE S/T SOLDER FOR TFLEX-402, .141" CABLE, 50 Ω
 DRAWING NO: 5SPF15S-A81-001