
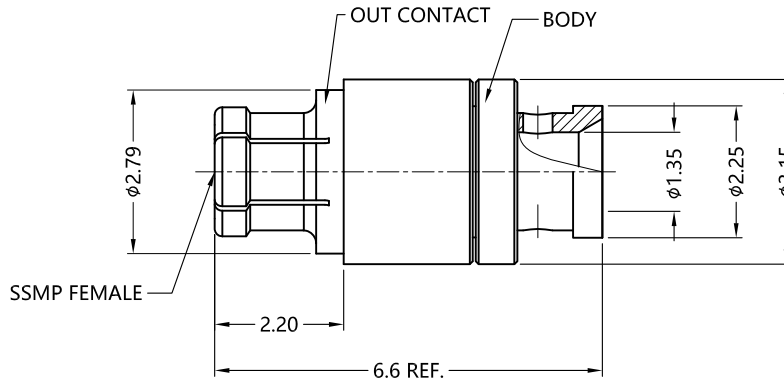
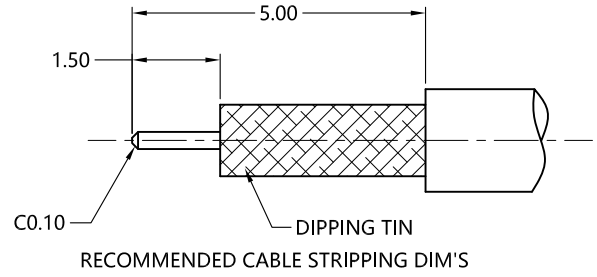


REV.	DESCRIPTION	ECN NO.	NAME	DATE	 ALL PARTS MUST MEET TO RoHS REQUIREMENTS
0	FIRST EDITION	N/A	HRWEI	2020-11-13	
1	UPDATE THE DRAWING	N/A	HRWEI	2020-11-16	

REMARKS:
 1. CONTACT PIN TO CAPTIVE
 2. BODY TO SOLDER
 3. ADD SIZE: 3.6 mm



MATERIALS AND PLATING		UNIT: MICRO-INCHES
PART NAME	MATERIALS	PLATING
BODY	Be-Cu C17300	GOLD 50 u"/NICKEL/COPPER
INSULATOR	PEEK	N/A
CONTACT PIN	Be-Cu C17300	GOLD 50 u"/COPPER
OUT CONTACT	Be-Cu C17300	GOLD 50 u"/NICKEL/COPPER

ELECTRICAL CHARACTERISTICS		
IMPEDANCE	50 Ω	
VOLTAGE RATING	N/A	
FREQUENCY RANGE	DC ~ 65 GHz	
DIELECTRIC WITHSTANDING VOLTAGE	> 500 V	
CONTACT RESISTANCE	CENTER CONTACT	< 6.0 mΩ
	OUTER CONTACT	< 2.0 mΩ
INSULATION RESISTANCE	> 1000 MΩ	
INSERTION LOSS	< 0.10x√F(GHz) dB	
VSWR	< 1.30(DC~40 GHz)	
	< 1.50(DC~65 GHz)	
3RD INTERMODULATION	N/A	

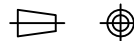
MECHANICAL CHARACTERISTICS		
CENTER CONTACT RETENTION FORCE	> 3 lbs	
Engagement force	Full detent	< 4.5 lbs
	Smooth bore	< 2.5 lbs
Disengagement force	Full detent	< 6.5 lbs
	Smooth bore	< 1.5 lbs
DURABILITY	Full detent	> 100 cycles
	Smooth bore	> 500 cycles

ENVIRONMENTAL PARAMETER	
TEMPERATURE RANGE	-40 °C ~ +125 °C

* CUSTOMER OUTLINE DRAWING

UNLESS OTHERWISE SPECIFIED:
 1) EDGES : C0.15 MAX ;
 2) REMOVE ALL BURRS ;
 3) SURFACE ROUGHNESS : Ra1.6 ;
 4) UNITS : mm ;
 5) DIMENSIONS TOLERANCES
 DECIMALS : .x ±0.3 .xx ±0.2 .xxx±0.1;
 ANGLES : ± 5°.

THIRD ANGLE PROJECTION



APPROVED :

CUSTOMER P/N :

CHECKED :

SCALE :

8 : 1

DRAWING :

DATE : 2020-11-16

PAGE : 1/1



TITLE : SSMP FEMALE S/T SOLDER FOR P-Flex-047 CABLE,50Ω

DRAWING NO. : 5MPF15S-A420-002

COMPANY WEBSITE : www.slkcorp.com

CUSTOMER OUTLINE DRAWING