
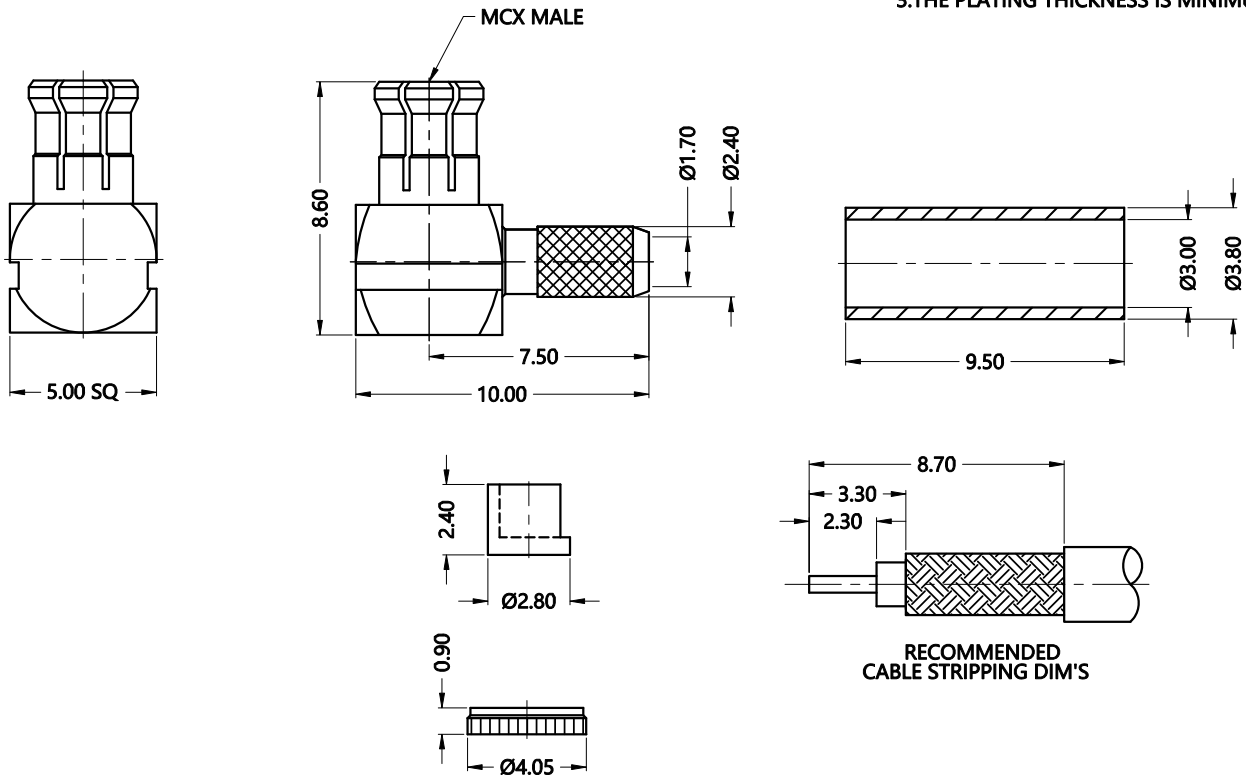


REV.	DESCRIPTION	ECN NO.	NAME	DATE	 ALL PARTS MUST MEET TO RoHS REQUIREMENTS
A3	UPDATE DRAWING	N/A	LEI CHAO	2021-06-10	
A4	UPDATE DRAWING	N/A	LEI CHAO	2021-06-27	

1. CRIMPED FERRULE
HEX. CRIMP SIZE .128"
2. CONTACT PIN TO SOLDER
3. THE PLATING THICKNESS IS MINIMUM



MATERIALS AND PLATING		UNIT: MICRO-INCHES
PART NAME	MATERIALS	PLATING
OUTER CONTACT	BE-CU PER C17300	GOLD 3u*/NICKEL 100u*/COPPER
INSULATOR	PTFE MIL-P-19468	N/A
CONTACT PIN	BRASS C3604	GOLD 3u*/NICKEL 100u*/COPPER
FERRULE	BRASS	GOLD 3u*/NICKEL 100u*/COPPER
BODY	BRASS C3604	GOLD 3u*/NICKEL 100u*/COPPER
COVER	BRASS C3604	GOLD 3u*/NICKEL 100u*/COPPER

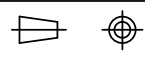
ELECTRICAL CHARACTERISTICS	
IMPEDANCE	50 Ω
VOLTAGE RATING	335V(rms)MAX
FREQUENCY RANGE	0 ~ 6 GHz
DIELECTRIC WITHSTANDING VOLTAGE	>500 V MIN
CONTACT RESISTANCE	CENTER CONTACT <5mΩ
	OUTER CONTACT <2.5 mΩ
INSULATION RESISTANCE	>1000 MΩ
INSERTION LOSS	0.05x/F (GHz)
VSWR	<1.25 @ DC-4 GHz

MECHANICAL CHARACTERISTICS	
FORCE TO ENGAGE AND DISENGAGE	N/A
CABLE RETENTION FORCE	> 53 N
RECOMMENDED COUPLING TORQUE	N/A
COUPLING NUT RETENTION FORCE	N/A
DURABILITY	>500 cycles

ENVIRONMENTAL PARAMETER	
TEMPERATURE RANGE	-65 °C~+165 °C
THERMAL SHOCK	US MIL- STD 202, Meth. 107,Cond. C
CORROSION SALT SPRAY	US MIL- STD 202, Meth. 101,Cond. B
VIBRATION	US MIL- STD 202, Meth. 204,Cond. D
SIGH TEMPERATURE TEST	US MIL- STD 202, Meth. 108A,Cond. D

*** CUSTOMER OUTLINE DRAWING**

UNLESS OTHERWISE SPECIFIED:
 1) EDGES : C0.15 MAX ;
 2) REMOVE ALL BURRS ;
 3) SURFACE ROUGHNESS : Ra1.6 ;
 4) UNITS : mm ;
 5) DIMENSIONS TOLERANCES
 DECIMALS : .x ±0.2 .xx ±0.1 .xxx±0.05;
 ANGLES : ± 5°.

THIRD ANGLE PROJECTION		
APPROVED :	CUSTOMER P/N :	
CHECKED :	SCALE :	
DRAWING :	DATE :	
	PAGE : 1/1	


 TITLE : MCX MALE R/A FOR RG316.RG174 CABLE .50Ω
 DRAWING NO. : 5MXM11R-A02-020
 COMPANY WEBSITE : www.slkcorp.com

CUSTOMER OUTLINE DRAWING