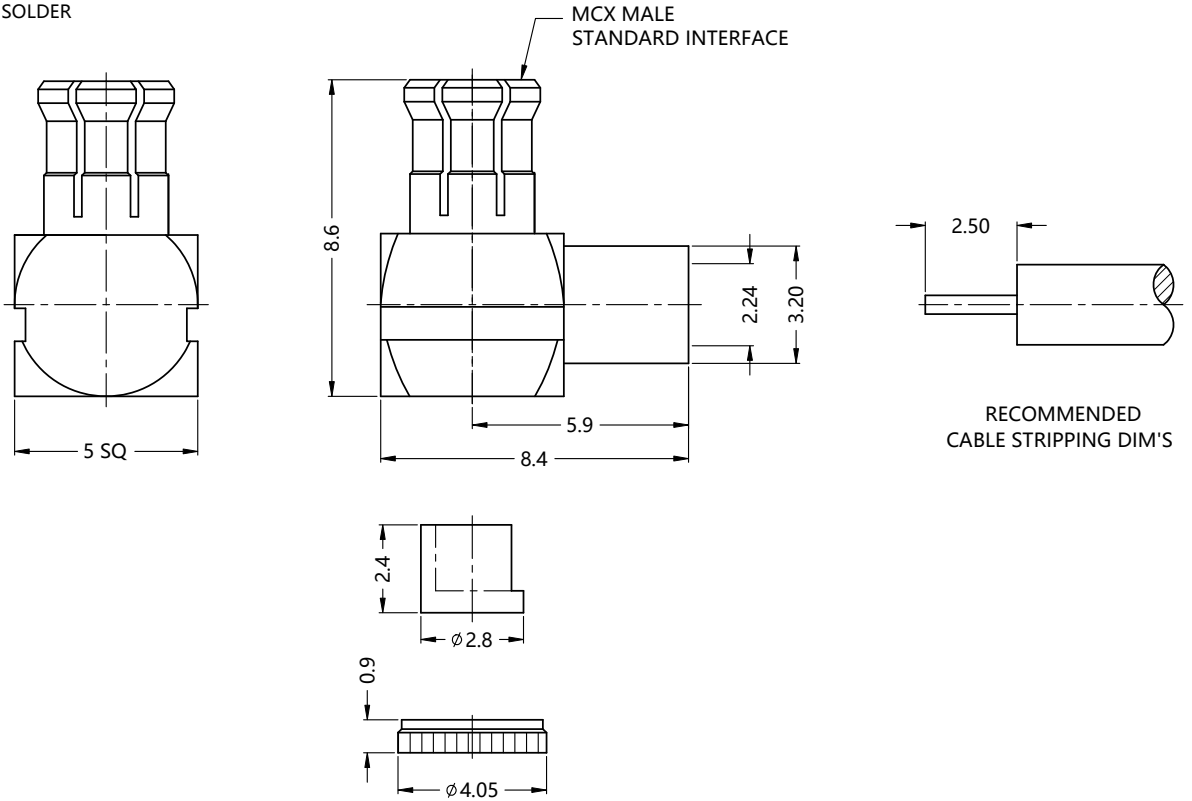


REV.	DESCRIPTION	ECN NO.	NAME	DATE
0	FIRST EDITION	N/A	YJY	2019-09-19
1	UPDATE DRAWING FRAME	N/A	SYH	2020-05-13
2	UPDATE BLUEPRINT	N/A	LZC	2022-04-11



ALL PARTS MUST MEET TO RoHS REQUIREMENTS

1. CONTACT PIN TO SOLDER



MATERIALS AND PLATING		UNIT: MICRO-INCHES
PART NAME	MATERIALS	PLATING
OUTER CONTACT	BeCu C17300	PL.GOLD 3μ"/NICKEL/COPPER
INSULATOR 1	PTFE MIL-P-19468	N/A
CONTACT PIN	BRASS C3604	PL.GOLD10u"/NICKEL/COPPER
INSULATOR 2	POM	N/A
BODY	BRASS C3604	PL.GOLD 3μ"/NICKEL/COPPER
COVER	BRASS C3604	PL.GOLD 3μ"/NICKEL/COPPER

ELECTRICAL CHARACTERISTICS	
IMPEDANCE	50 Ω
VOLTAGE RATING	335V(rms)
FREQUENCY RANGE	DC ~ 6 GHz
DIELECTRIC WITHSTANDING VOLTAGE	>750 V $\triangle$
CONTACT RESISTANCE	CENTER CONTACT <5.0 mΩ
	OUTER CONTACT <2.5 mΩ
INSULATION RESISTANCE	>1000 MΩ
INSERTION LOSS	According as the cable
VSWR	<1.25 $\triangle$
3RD INTERMODULATION	N/A

MECHANICAL CHARACTERISTICS	
SEPARATION FORCE	> 1.8 lbs
ENGAGEMENT FORCE	<2.5 lbs
CENTER CONTACT RETENTION FORCE	>1.8 Lbs
CABLE RETENTION FORCE	>15 lbs
DURABILITY	>500cycles

ENVIRONMENTAL PARAMETER	
TEMPERATURE RANGE	-40 °C~+125 °C
CORROSION	MIL- STD 202, Meth. 101,Cond. B
VIBRATION	MIL- STD 202, Meth. 204,Cond. A

\* CUSTOMER OUTLINE DRAWING

UNLESS OTHERWISE SPECIFIED:  
 1) EDGES : C0.15 MAX ;  
 2) REMOVE ALL BURRS ;  
 3) SURFACE ROUGHNESS : Ra1.6 ;  
 4) UNITS : mm ;  
 5) DIMENSIONS TOLERANCES  
 DECIMALS : .x ±0.3 .xx ±0.2 .xxx±0.1;  
 ANGLES : ± 5°.

THIRD ANGLE PROJECTION	
APPROVED :	CUSTOMER P/N :
CHECKED :	SCALE : 5: 1
DRAWING :	DATE : 2022-04-11
PAGE : 1/1	

TITLE : MCX R/A MALE 50 Ohm FOR .86/RG405 CABLE  
 DRAWING NO. : 5MXM15R-S01-001  
 COMPANY WEBSITE : www.slkcorp.com

CUSTOMER OUTLINE DRAWING