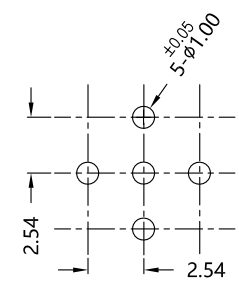
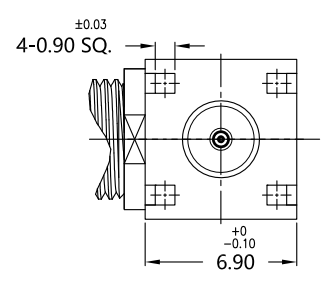
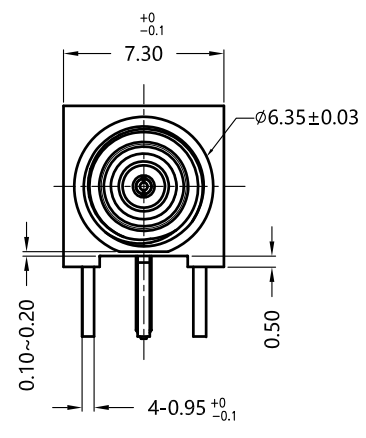
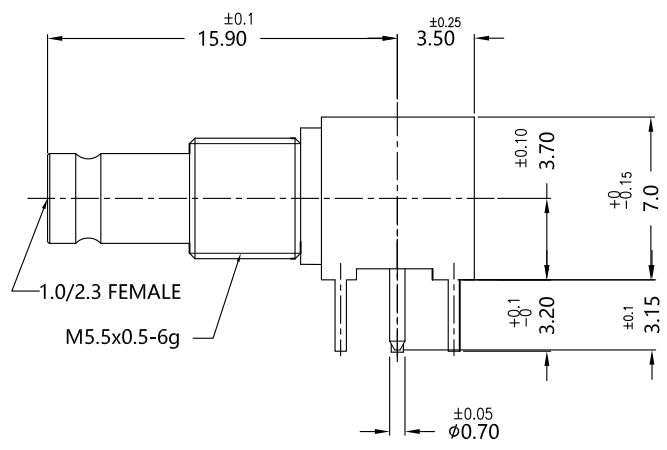


REV.	DESCRIPTION	ECN NO.	NAME	DATE
2	NEW FRAME	N/A	JING	2020-11-04



ALL PARTS MUST MEET TO RoHS REQUIREMENTS



PCB ASSIGNMENT

MATERIALS AND PLATING		UNIT: MICRO-INCHES
PART NAME	MATERIALS	PLATING
BODY 1	BRASS C3604	GOLD 50u"/NICKEL/COPPER
INSULATOR	PTFE ASTM-D-1710	N/A
CONTACT PIN	BERYLIUM COPPER	GOLD 50u"/NICKEL/COPPER
BODY 2	BRASS C3604	SILVER 140 u"/COPPER

ELECTRICAL CHARACTERISTICS	
IMPEDANCE	50 Ω
VOLTAGE RATING	250 V(rms)
FREQUENCY RANGE	0 ~ 6 GHz
DIELECTRIC WITHSTANDING VOLTAGE	>750V
CONTACT RESISTANCE	CENTER CONTACT <4.0 mΩ
	OUTER CONTACT <2.5 mΩ
INSULATION RESISTANCE	>1000 MΩ
INSERTION LOSS	N/A
RF-LEAKAGE	N/A
VSWR	<1.5
3RD INTERMODULATION	N/A

MECHANICAL CHARACTERISTICS	
FORCE TO ENGAGE AND DISENGAGE	N/A
CENTER CONTACT RETENTION FORCE	>2.25 lbs
RECOMMENDED COUPLING TORQUE	N/A
COUPLING NUT RETENTION FORCE	N/A
DURABILITY	>500 cycles

ENVIRONMENTAL PARAMETER	
TEMPERATURE RANGE	-45 °C ~ +85 °C
SALT SPRAY	48H

CUSTOMER OUTLINE DRAWING

\* CUSTOMER OUTLINE DRAWING

UNLESS OTHERWISE SPECIFIED:  
 1) EDGES : C0.15 MAX ;  
 2) REMOVE ALL BURRS ;  
 3) SURFACE ROUGHNESS : Ra1.6 ;  
 4) UNITS : mm ;  
 5) DIMENSIONS TOLERANCES  
 DECIMALS : .x ±0.2 .xx ±0.1 .xxx±0.05;  
 ANGLES : ± 5°.

THIRD ANGLE PROJECTION	
APPROVED :	CUSTOMER P/N :
CHECKED :	SCALE :
DRAWING :	DATE :
JING	2020-11-04
PAGE : 1/1	

TITLE : 1.0/2.3 FEMALE R/A FOR PCB MOUNTING, 50Ω  
 DRAWING NO. : 5A1F25R-P41-010  
 COMPANY WEBSITE : www.slkcorp.com