

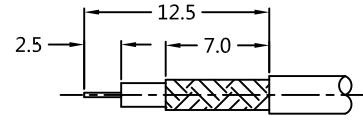
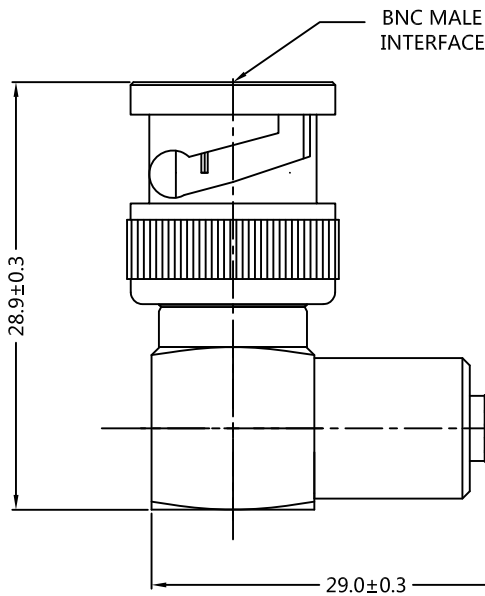
REV.	DESCRIPTION	ECN NO.	NAME	DATE
3	UPDATE THE DRAWING	N/A	WYJ	2018-05-10
4	NEW FRAME	N/A	JING	2020-07-07



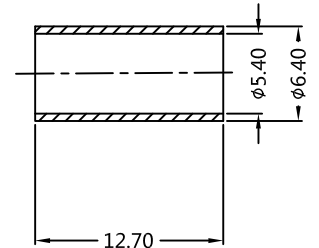
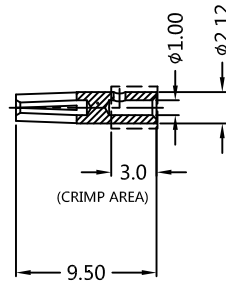
ALL PARTS MUST MEET TO RoHS REQUIREMENTS

REMARKS:

1. CRIMPED CONTACT PIN HEX. CRMIP SIZE .071"
2. CRIMPED FERRULE HEX. CRMIP SIZE .216"



RECOMMENDED CABLE STRIPPING DIM'S



MATERIALS AND PLATING UNIT: MICRO-INCHES		
PART NAME	MATERIALS	PLATING
BODY	BRASS C3604	SILVER 40u"/COPPER
INSULATOR	TEFLON ASTM-D-1710	N/A
CONTACT PIN	PHOSPHOR BRONZE +BRASS C3604	SILVER 40u"/COPPER
FERRULE/SHELL	BRASS C3602	SILVER 40u"/COPPER
GASKET	SILICONE	N/A
C RING	SK5	NICEEL 100u"/COPPER
SPRING PING	SWP	GALVANIZED
RING	SK5	SILVER 40u"/COPPER

ELECTRICAL CHARACTERISTICS	
IMPEDANCE	50 Ω
VOLTAGE RATING	500 V(rms)
FREQUENCY RANGE	0~4 GHz
DIELECTRIC WITHSTANDING VOLTAGE	>1500 V
CONTACT RESISTANCE	CENTER CONTACT <1.5 mΩ
	OUTER CONTACT <0.2 mΩ
INSULATION RESISTANCE	>5000 MΩ
INSERTION LOSS	<0.3 @ 3 GHz
RF-LEAKAGE	N/A
VSWR	<1.35 @ 0~4 GHz
3RD INTERMODULATION	N/A

MECHANICAL CHARACTERISTICS	
FORCE TO ENGAGE AND DISENGAGE	N/A
CENTER CONTACT RETENTION FORCE	>6 lbs
CABLE RETENTION FORCE	40 lbs
COUPLING NUT RETENTION FORCE	>100 lbs
DURABILITY	>500 cycles

ENVIRONMENTAL PARAMETER	
TEMPERATURE RANGE	-65 °C~+165 °C
CORROSION	MIL- STD 202, Meth. 101,Cond. B
VIBRATION	MIL- STD 202, Meth. 204,Cond. B
SHOCK	MIL- STD 202, Meth. 213,Cond. I

CUSTOMER OUTLINE DRAWING

**\* CUSTOMER OUTLINE DRAWING**

UNLESS OTHERWISE SPECIFIED:  
 1) EDGES : C0.15 MAX ;  
 2) REMOVE ALL BURRS ;  
 3) SURFACE ROUGHNESS : Ra1.6 ;  
 4) UNITS : mm ;  
 5) DIMENSIONS TOLERANCES  
 DECIMALS : .x ±0.3 .xx ±0.2 .xxx±0.1;  
 ANGLES : ± 5°.

THIRD ANGLE PROJECTION		
APPROVED :	CUSTOMER P/N :	-
CHECKED :	SCALE :	2 : 1
DRAWING :	DATE :	2020-07-06
JING	PAGE :	1/1

**SLK**  
— SUPERLINK —

TITLE : BNC MALE R/A CRIMP FOR RG58 CABLE 50Ω

DRAWING NO. : 5BNM11R-A41-010

COMPANY WEBSITE : www.slkcorp.com