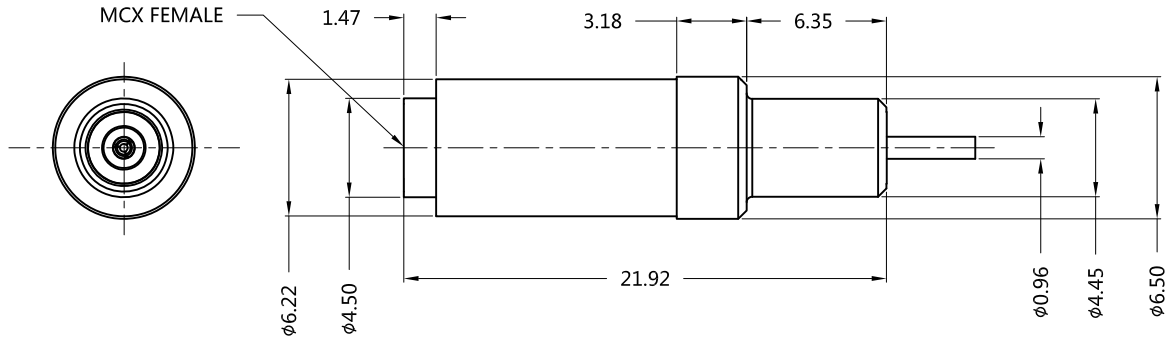


REV.	DESCRIPTION	ECN NO.	NAME	DATE
0	FIRST EDITION	N/A	LU	2016-04-15
1	NEW FRAME	N/A	LEI CHAO	2020-07-13



ALL PARTS MUST MEET TO RoHS REQUIREMENTS



MATERIALS AND PLATING		UNIT: MICRO-INCHES
PART NAME	MATERIALS	PLATING
BODY	BRASS C3604	TIN 200 u"
CONTACT PIN	Be-Cu C17300	GOLD 30 u"/NICKEL/COPPER
INSULATOR	TEFLON MIL-P-19468	N/A

ELECTRICAL CHARACTERISTICS	
IMPEDANCE	50 Ω
VOLTAGE RATING	250 V(rms)
FREQUENCY RANGE	DC ~ 6 GHz
DIELECTRIC WITHSTANDING VOLTAGE	>750 V
CONTACT RESISTANCE	CENTER CONTACT
	OUTER CONTACT
INSULATION RESISTANCE	>1000 MΩ
INSERTION LOSS	N/A
VSWR	N/A
3RD INTERMODULATION	N/A

MECHANICAL CHARACTERISTICS	
ENGAGEMENT FORCE	< 14.2 lbs
SEPARATION FORCE	1.8~4.5 lbs
CENTER CONTACT RETENTION FORCE	N/A
COUPLING NUT RETENTION FORCE	N/A
DURABILITY	> 500 cycles

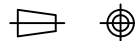
ENVIRONMENTAL PARAMETER	
TEMPERATURE RANGE	-55 °C~+155 °C

*** CUSTOMER OUTLINE DRAWING**

UNLESS OTHERWISE SPECIFIED:

- 1) EDGES : C0.15 MAX ;
- 2) REMOVE ALL BURRS ;
- 3) SURFACE ROUGHNESS : Ra1.6 ;
- 4) UNITS : mm ;
- 5) DIMENSIONS TOLERANCES
 DECIMALS : .x ±0.3 .xx ±0.2 .xxx±0.1;
 ANGLES : ± 5°.

THIRD ANGLE PROJECTION



APPROVED :

CUSTOMER P/N :

CHECKED :

SCALE :

3 : 1

DRAWING :

DATE : 2020-07-13

PAGE : 1/1



TITLE : MCX FEMALE S/T FOR BULKHEAD MOUNTING,50Ω

DRAWING NO. :

5MXF00S-P01

COMPANY WEBSITE : www.slkcorp.com

CUSTOMER OUTLINE DRAWING