
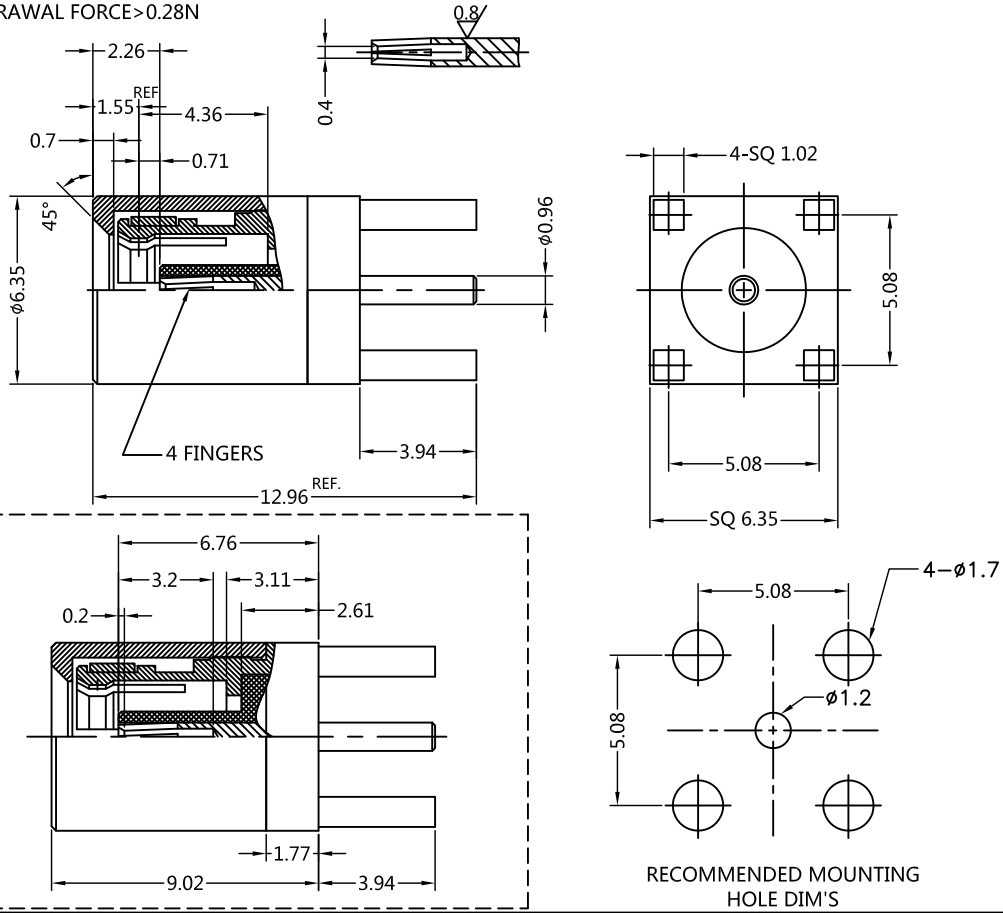


REV.	DESCRIPTION	ECN NO.	NAME	DATE	 ALL PARTS MUST MEET TO RoHS REQUIREMENTS
5	NEW FRAME	N/A	HYH	2020-07-10	

REMARKS:

- 1.FEMALE CONTACT SURFACE ROUGHNESS
- 2.FEMALE CONTACT WITHDRAWAL FORCE>0.28N



MATERIALS AND PLATING		UNIT: MICRO-INCHES
PART NAME	MATERIALS	PLATING
BODY	BRASS C3604	GOLD 5u"/NICKEL/COPPER
CONTACT PIN	Be-Cu C17300	GOLD 30u"/NICKEL/COPPER
INSULATOR	TEFLON	N/A
SHELL	BRASS C3602	GOLD 5u"/NICKEL/COPPER

ELECTRICAL CHARACTERISTICS	
IMPEDANCE	75 Ω
VOLTAGE RATING	335 V(rms)
FREQUENCY RANGE	0 ~ 1 GHz
DIELECTRIC WITHSTANDING VOLTAGE	750 V
CONTACT RESISTANCE	CENTER CONTACT
	OUTER CONTACT
INSULATION RESISTANCE	>1000 MΩ
INSERTION LOSS	<0.3
RETURN LOSS	N/A
VSWR	N/A
3RD INTERMODULATION	N/A

MECHANICAL CHARACTERISTICS	
FORCE TO ENGAGE AND DISENGAGE	N/A
CENTER CONTACT RETENTION FORCE	N/A
ENGAGEMENT FORCE	14.2 lbs
DISENGAGEMENT FORCE	4 lbs to 12 lbs
DURABILITY	>500 cycles

ENVIRONMENTAL PARAMETER	
TEMPERATURE RANGE	-65 °C~+165 °C

\* CUSTOMER OUTLINE DRAWING

UNLESS OTHERWISE SPECIFIED:

- 1) EDGES : C0.15 MAX ;
- 2) REMOVE ALL BURRS ;
- 3) SURFACE ROUGHNESS : Ra1.6 ;
- 4) UNITS : mm ;
- 5) DIMENSIONS TOLERANCES  
 DECIMALS : .x ±0.3 .xx ±0.2 .xxx±0.1;  
 ANGLES : ± 5°.

THIRD ANGLE PROJECTION



APPROVED :

CUSTOMER P/N :

CHECKED :

SCALE :

1 : 1

DRAWING :

HYH

DATE : 2020-07-10

PAGE : 1/1



TITLE : SMB MALE S/T FOR PCB MOUNTING,75Ω

DRAWING NO. : 7MBM25S-P41-004

COMPANY WEBSITE : www.slkcorp.com

CUSTOMER OUTLINE DRAWING