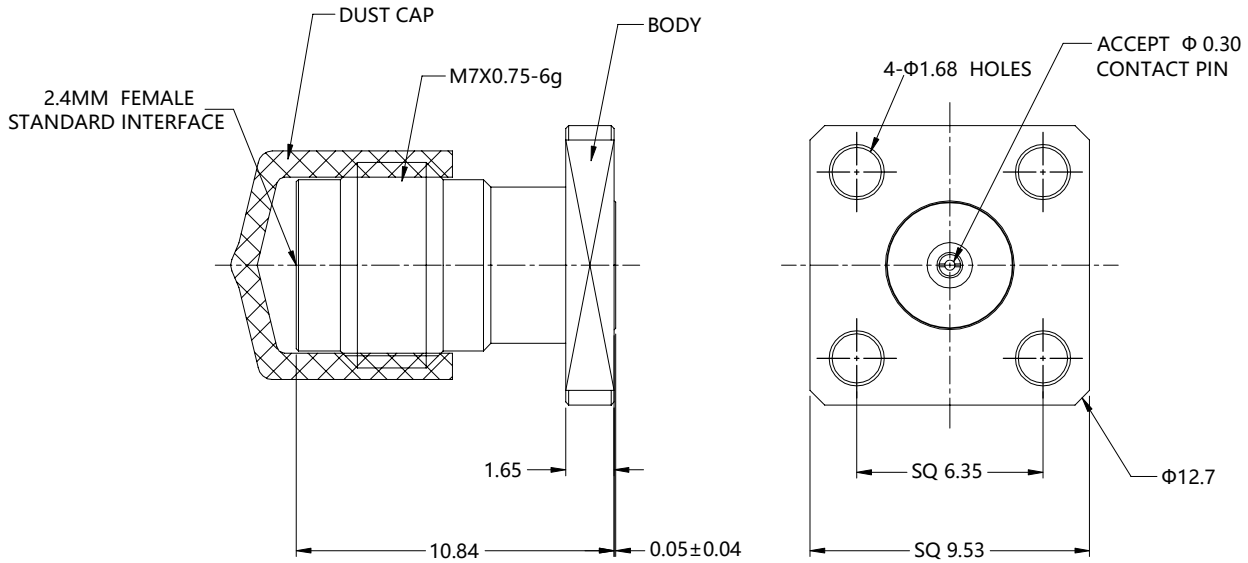


| REV. | DESCRIPTION   | ECN NO. | NAME | DATE       |
|------|---------------|---------|------|------------|
| 0    | FIRST EDITION | N/A     | LZF  | 2022-11-04 |



ALL PARTS MUST MEET TO RoHS REQUIREMENTS



| MATERIALS AND PLATING |                  | UNIT: MICRO-INCHES |
|-----------------------|------------------|--------------------|
| PART NAME             | MATERIALS        | PLATING            |
| BODY                  | STAINLESS STEEL  | PASSIVATION        |
| INSULATOR             | PEI&PTFE         | NATURAL            |
| CONTACT PIN           | BERYLLIUM COPPER | GOLD 50 u" /COPPER |
| DUST CAP              | PVC              | BLACK              |

| ELECTRICAL CHARACTERISTICS      |                 |
|---------------------------------|-----------------|
| IMPEDANCE                       | 50 Ω            |
| VOLTAGE RATING                  | 335 V(rms)      |
| FREQUENCY RANGE                 | DC ~ 50 GHz     |
| DIELECTRIC WITHSTANDING VOLTAGE | >500 V          |
| CONTACT RESISTANCE              | CENTER CONTACT  |
|                                 | OUTER CONTACT   |
| INSULATION RESISTANCE           | >1000 MΩ        |
| INSERTION LOSS                  | <0.05 √F(GHz)dB |
| VSWR                            | <1.30           |
| 3RD INTERMODULATION             | N/A             |

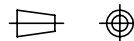
| MECHANICAL CHARACTERISTICS     |             |
|--------------------------------|-------------|
| FORCE TO ENGAGE AND DISENGAGE  | N/A         |
| CENTER CONTACT RETENTION FORCE | >6 lbs      |
| RECOMMENDED COUPLING TORQUE    | N/A         |
| COUPLING NUT RETENTION FORCE   | N/A         |
| DURABILITY                     | >500 cycles |

| ENVIRONMENTAL PARAMETER |                                 |
|-------------------------|---------------------------------|
| TEMPERATURE RANGE       | -40 °C~ +125 °C                 |
| THERMAL SHOCK           | MIL- STD 202, Meth. 107,Cond. B |
| VIBRATION               | MIL- STD 202, Meth. 204,Cond. B |
| SHOCK                   | MIL- STD 202, Meth. 213,Cond. I |

\* CUSTOMER OUTLINE DRAWING

UNLESS OTHERWISE SPECIFIED:  
 1) EDGES : C0.15 MAX ;  
 2) REMOVE ALL BURRS ;  
 3) SURFACE ROUGHNESS : Ra0.8 ;  
 4) UNITS : mm ;  
 5) DIMENSIONS TOLERANCES  
 DECIMALS : .x ±0.2 .xx ±0.1 .xxx±0.05;  
 ANGLES : ± 3°.

THIRD ANGLE PROJECTION



APPROVED :

CUSTOMER P/N :

CHECKED :

SCALE :

4: 1

DRAWING :

DATE : 2022-11-04

PAGE : 1/1



TITLE : 2.4mm FEMALE S/T WITH 4 HOELS FLANGE CONNECTOR

DRAWING NO. :

5P4F88S-H41

COMPANY WEBSITE : www.slkcorp.com

CUSTOMER OUTLINE DRAWING