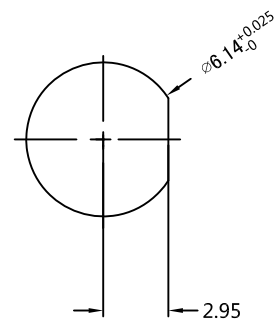
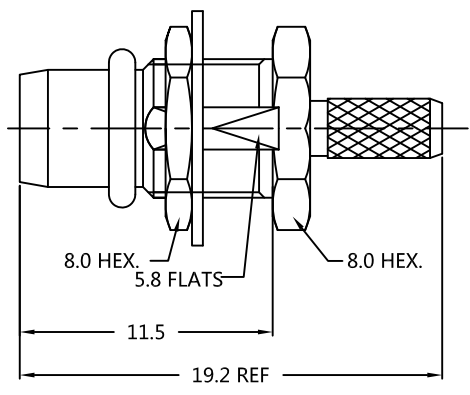


REV.	DESCRIPTION	ECN NO.	NAME	DATE
2	UPDATE VIEW	N/A	FLAME	2016-08-29
3	NEW FRAME	N/A	JING	2020-06-23

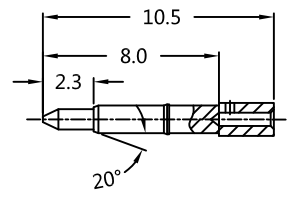


ALL PARTS MUST MEET TO RoHS REQUIREMENTS

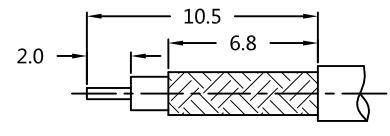
REMARK:1.CONTACT PIN TO SOLDER
2.FERRULE CRIMP SIZE .133"



RECOMMENDED MOUNTING HOLE



CENTER CONTACT DIMENSION



RECOMMENDED CABLE STRIPPING DIM'S

MATERIALS AND PLATING		UNIT: MICRO-INCHES
PART NAME	MATERIALS	PLATING
BODY	STAINLESS STEEL	GOLD 3u"/NICKEL/COPPER
INSULATOR	PTFE ASTM-D-1710	N/A
CONTACT PIN	BERYLLIUM COPPER	GOLD 5u"/COPPER
NUT/WASHER	STAINLESS STEEL	GOLD 1u"/NICKEL/COPPER

ELECTRICAL CHARACTERISTICS	
IMPEDANCE	50 Ω
VOLTAGE RATING	250 V(rms)
FREQUENCY RANGE	0 ~ 3 GHz
DIELECTRIC WITHSTANDING VOLTAGE	>750 V
CONTACT RESISTANCE	CENTER CONTACT
	OUTER CONTACT
INSULATION RESISTANCE	>5000 MΩ
INSERTION LOSS	$0.06 \sqrt{F}$ (GHz)
RF-LEAKAGE	-(60-F(GHz))
VSWR	$1.15 + 0.1 \sqrt{F}$ (GHz)
3RD INTERMODULATION	N/A

MECHANICAL CHARACTERISTICS	
SEPARATION FORCE	< 1.5lbs
CENTER CONTACT RETENTION FORCE	>6 lbs
COUPLING PROOF TORQUE	N/A
(CABLE RETENTION FORCE)(DEPED ON CABLE)	> 20 lbs(REF.)
DURABILITY	>500 cycles

ENVIRONMENTAL PARAMETER	
TEMPERATURE RANGE	-65°C~+125 °C
THERMAL SHOCK	MIL- STD 202, Meth. 107,Cond. B
VIBRATION	MIL- STD 202, Meth. 204,Cond. D
SHOCK	MIL- STD 202, Meth. 213,Cond. I

* CUSTOMER OUTLINE DRAWING

UNLESS OTHERWISE SPECIFIED:
 1) EDGES : C0.15 MAX ;
 2) REMOVE ALL BURRS ;
 3) SURFACE ROUGHNESS : Ra1.6 ;
 4) UNITS : mm ;
 5) DIMENSIONS TOLERANCES
 DECIMALS : .x ±0.3 .xx ±0.2 .xxx±0.1;
 ANGLES : ± 5°.

THIRD ANGLE PROJECTION	
APPROVED :	CUSTOMER P/N :
CHECKED :	SCALE :
DRAWING :	DATE :
JING	2020-06-23
PAGE : 1/1	

TITLE : BMA MALE BULKHEAD FOR RG316 CABLE 50 OHM
 DRAWING NO. : 5BMM31S-A02-001
 COMPANY WEBSITE : www.slkcorp.com

CUSTOMER OUTLINE DRAWING