
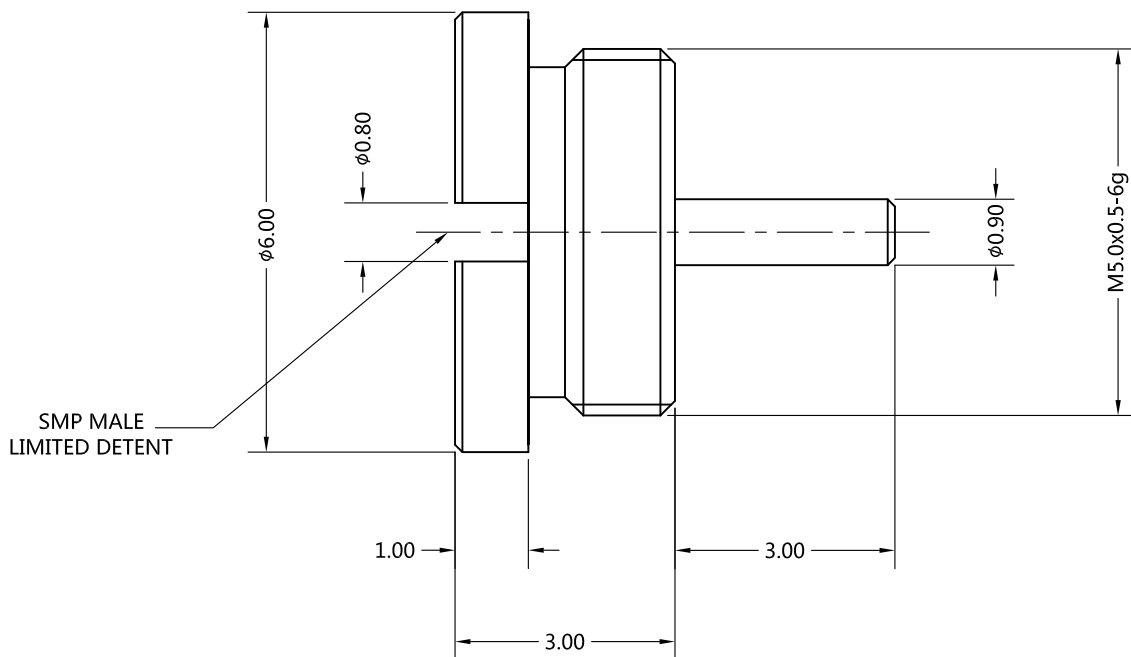


REV.	DESCRIPTION	ECN NO.	NAME	DATE	 ALL PARTS MUST MEET TO RoHS REQUIREMENTS
0-1	FIRST EDITION	N/A	CLOUD	2015-11-11	
2	REPLACE FRAME	N/A	Kevin.Li	2020-07-11	



MATERIALS AND PLATING		UNIT: MICRO-INCHES
PART NAME	MATERIALS	PLATING
BODY	BRASS	GOLD 10u" / NICKEL / COPPER
INSULATOR	PEEK	N/A
CONTACT PIN	BERYLLIUM COPPER	GOLD 50 u" / NICKEL / COPPER

ELECTRICAL CHARACTERISTICS	
IMPEDANCE	50 Ω
VOLTAGE RATING	335V(rms)
FREQUENCY RANGE	0 ~ 18 GHz
DIELECTRIC WITHSTANDING VOLTAGE	> 500 V
CONTACT RESISTANCE	CENTER CONTACT
	OUTER CONTACT
INSULATION RESISTANCE	> 1000MΩ
INSERTION LOSS	< 0.05X \sqrt{f} [GHz]dB
VSWR	< 1.25
3RD INTERMODULATION	N/A

MECHANICAL CHARACTERISTICS	
FORCE TO ENGAGE AND DISENGAGE	N/A
CENTER CONTACT RETENTION FORCE	> 1.5 lbs
DURABILITY	> 500cycles

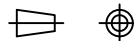
ENVIRONMENTAL PARAMETER	
TEMPERATURE RANGE	-40 °C ~ +165 °C
VIBRATION	US MIL- STD 202, Meth. 204,Cond. D
SHOCK	US MIL- STD 202, Meth. 213,Cond. I
CORROSION	US MIL- STD 202, Meth. 101,Cond. B

*** CUSTOMER OUTLINE DRAWING**

UNLESS OTHERWISE SPECIFIED:

- 1) EDGES : C0.15 MAX ;
- 2) REMOVE ALL BURRS ;
- 3) SURFACE ROUGHNESS : Ra1.6 ;
- 4) UNITS : mm ;
- 5) DIMENSIONS TOLERANCES
 DECIMALS : .x ±0.3 .xx ±0.2 .xxx±0.1;
 ANGLES : ± 5°.

THIRD ANGLE PROJECTION



APPROVED :

CUSTOMER P/N :

CHECKED :

SCALE :

DRAWING :

DATE : 2020-07-11

PAGE : 1/1



TITLE : SMP MALE S/T SOLDER CUP ,THREAD-IN,50Ω

DRAWING NO. : 5SPM25S-P01-031

COMPANY WEBSITE : www.slkcorp.com

CUSTOMER OUTLINE DRAWING