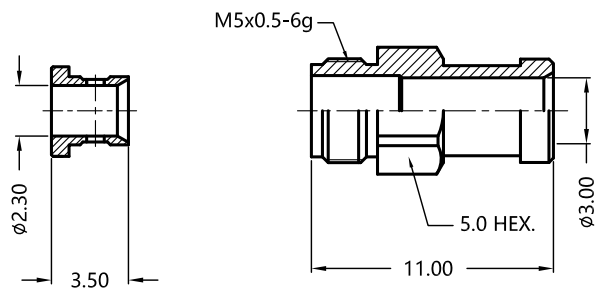
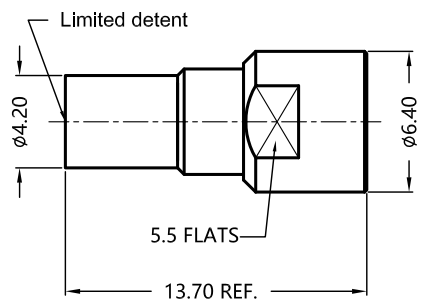
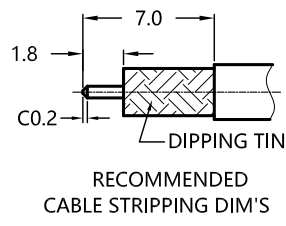


REV.	DESCRIPTION	ECN NO.	NAME	DATE
1	NEW FRAME	N/A	JING	2020-08-25



ALL PARTS MUST MEET TO RoHS REQUIREMENTS

REMARKS:
 1. CONTACT PIN TO CAPTIVE
 2. FERRULE TO SOLDER
 3. ADDS SIZE:8.25mm



MATERIALS AND PLATING		UNIT: MICRO-INCHES
PART NAME	MATERIALS	PLATING
BODY	BRASS C3604	GOLD 10u"/NICKEL/COPPER
INSULATOR	ENGINEERING PLASTICS	N/A
CONTACT PIN	BERYLLIUM COPPER	GOLD 50u"/NICKEL/COPPER

ELECTRICAL CHARACTERISTICS	
IMPEDANCE	50 Ω
VOLTAGE RATING	335 V(rms)
FREQUENCY RANGE	0 ~ 40 GHz
DIELECTRIC WITHSTANDING VOLTAGE	>500 V
CONTACT RESISTANCE	CENTER CONTACT <6.0 mΩ
	OUTER CONTACT <2.0 mΩ
INSULATION RESISTANCE	>5000 MΩ
INSERTION LOSS	According to the cable
VSWR	<1.2 @0~18GHz
	<1.25 @18~26.5GHz
	<1.4 @26.5~40GHz
3RD INTERMODULATION	N/A

MECHANICAL CHARACTERISTICS	
FORCE TO ENGAGE AND DISENGAGE	10 lbs MAX. / 2 lbs MIN.
CENTER CONTACT RETENTION FORCE	>5 lbs
RECOMMENDED COUPLING TORQUE	N/A
COUPLING NUT RETENTION FORCE	N/A
DURABILITY	>500 cycles

ENVIRONMENTAL PARAMETER	
TEMPERATURE RANGE	-40 °C ~ +125 °C

CUSTOMER OUTLINE DRAWING

* CUSTOMER OUTLINE DRAWING

UNLESS OTHERWISE SPECIFIED:
 1) EDGES : C0.15 MAX ;
 2) REMOVE ALL BURRS ;
 3) SURFACE ROUGHNESS : Ra1.6 ;
 4) UNITS : mm ;
 5) DIMENSIONS TOLERANCES
 DECIMALS : .x ±0.3 .xx ±0.2 .xxx±0.1;
 ANGLES : ± 5°.

THIRD ANGLE PROJECTION		
APPROVED :	CUSTOMER P/N :	-
CHECKED :	SCALE :	3 : 1
DRAWING :	DATE :	2017-07-14
JING	PAGE :	1/1

TITLE : SMP MALE S/T FOR TFlex-405 CABLE, 50Ω
 DRAWING NO. : 5SPM15S-A82-002
 COMPANY WEBSITE : www.slkcorp.com