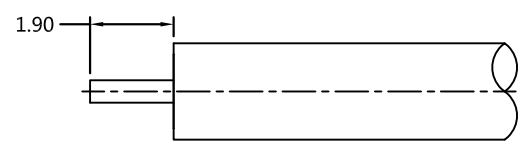


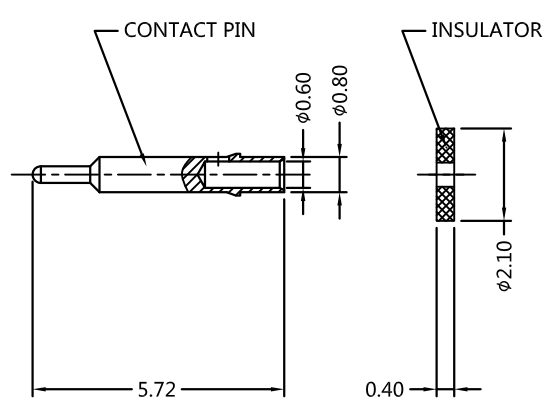
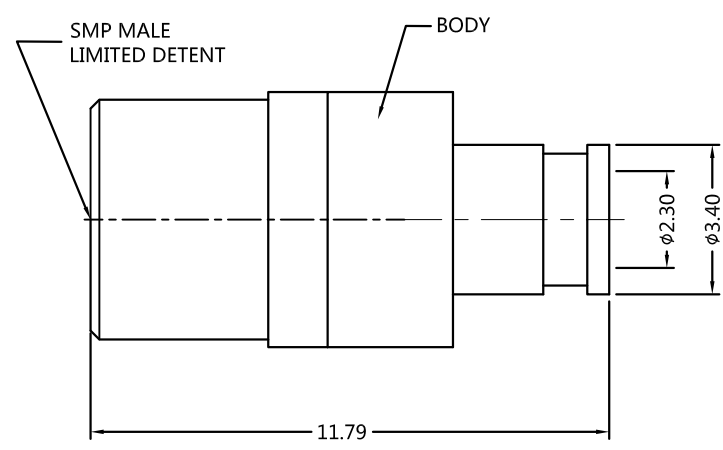
REV	DESCRIPTION	ECN NO	NAME	DATE
1	Modify dimensions	N/A	Flame	2014-06-24
2	NEW FRAME	N/A	LW	2020-07-15



ALL PARTS MUST MEET TO RoHS REQUIREMENTS



RECOMMENDED CABLE STRIPPING DIM'S



MATERIALS AND PLATING		UNIT: MICRO-INCHES
BODY	BRASS	GOLD 3 u"/NICKEL/COPPER
CONTACT PIN	BERYLLIUM COPPER	GOLD 5 u"/NICKEL/COPPER
INSULATOR	PTFE ASTM-D-1710	N/A

ELECTRICAL CHARACTERISTICS	
IMPEDANCE	50 $\Omega$
VOLTAGE RATING	175 V(rms)
FREQUENCY RANGE	0~6 GHz
DIELECTRIC WITHSTANDING VOLTAGE	>500 V
CONTACT RESISTANCE	CENTER CONTACT <math><6.0\text{ m}\Omega</math>
	OUTER CONTACT <math><3.0\text{ m}\Omega</math>
INSULATION RESISTANCE	>5000 M $\Omega$
INSERTION LOSS	<math><0.1\text{ V/F dB}</math>
VSWR	<math><1.30</math>
3RD INTERMODULATION	N/A

MECHANICAL CHARACTERISTICS	
CENTER CONTACT RETENTION FORCE	N/A
FORCE TO ENGAGE AND DISENGAGE	<math><10\text{ lbs (ENGAGE FORCE)}</math>
	<math>>2\text{ lbs (DISENGAGE FORCE)}</math>
DURABILITY	>500 cycles

ENVIRONMENTAL CHARACTERISTICS	
TEMPERATURE RANGE	-40 $^{\circ}\text{C}$ ~ +165 $^{\circ}\text{C}$
THERMAL SHOCK	MIL- STD 202, Meth. 107, Cond. B
VIBRATION	MIL- STD 202, Meth. 204, Cond. D
SHOCK	MIL- STD 202, Meth. 213, Cond. I

\* CUSTOMER OUTLINE DRAWING

UNLESS OTHERWISE SPECIFIED:  
 1) C0.15 MAX;  
 2) REMOVE ALL BURRS;  
 3) SURFACE ROUGHNESS : Ra1.6;  
 4) UNITS:mm;  
 5) DIMENSIONS TOLERANCES  
 DECIMALS .x  $\pm 0.3$  .xx  $\pm 0.2$  .xxx  $\pm 0.1$   
 ANGLES  $\pm 5^{\circ}$

THIRD ANGLE PROJECTION		
APPROVED:	CUSTOMER P/N:	-
CHECKED:	SCALE:	6:1
DRAWING:	DATE:	2020-07-15
COMPANY WEBSITE: www.slkcorp.com		

TITLE: SMP MALE S/T SOLDER FOR RG-405 CABLE,50 $\Omega$

DRAWING NO: 5SPM15S-S01-006

CUSTOMER OUTLINE DRAWING