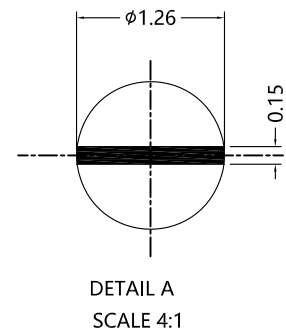
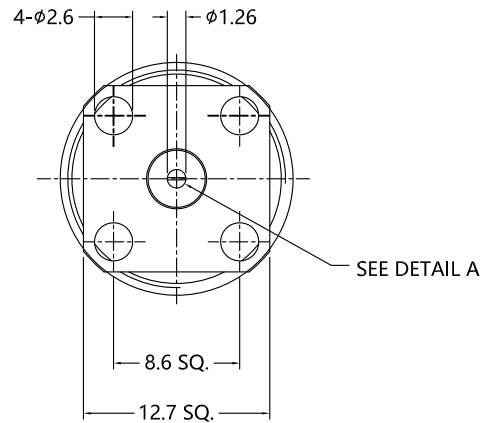
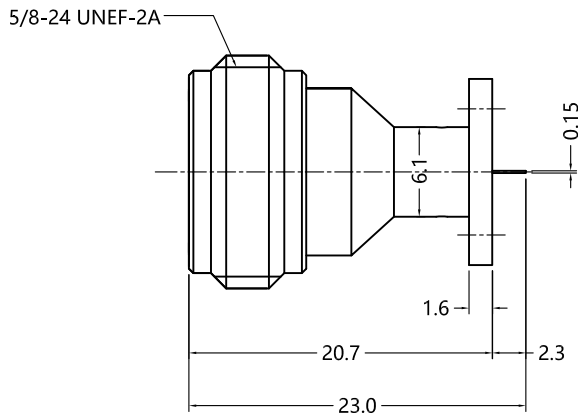


REV.	DESCRIPTION	ECN NO.	NAME	DATE
1	NEW FRAME	N/A	GUO	2020-07-27



ALL PARTS MUST MEET TO RoHS REQUIREMENTS



MATERIALS AND PLATING		UNIT: MICRO-INCHES
PART NAME	MATERIALS	PLATING
BODY	BRASS C3604	ALBALOY PL.80 u" /COPPER
INSULATOR	TEFLON MIL-P-19468	N/A
CONTACT PIN	BERYLLIUM COPPER	GOLD PL.3 u" / NICKEL/COPPER

ELECTRICAL CHARACTERISTICS	
IMPEDANCE	50 Ω
VOLTAGE RATING	335 V(rms)
FREQUENCY RANGE	DC ~ 11 GHz
DIELECTRIC WITHSTANDING VOLTAGE	1000 V
CONTACT RESISTANCE	CENTER CONTACT <1.0 mΩ
	OUTER CONTACT <0.2 mΩ
INSULATION RESISTANCE	>5000 MΩ
INSERTION LOSS	N/A
VSWR	N/A
3RD INTERMODULATION	N/A

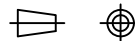
MECHANICAL CHARACTERISTICS	
FORCE TO ENGAGE AND DISENGAGE	N/A
CENTER CONTACT RETENTION FORCE	>6 lbs
RECOMMENDED COUPLING TORQUE	N/A
COUPLING NUT RETENTION FORCE	N/A
DURABILITY	>500 cycles

ENVIRONMENTAL PARAMETER	
TEMPERATURE RANGE	-65 °C~+165 °C
THERMAL SHOCK	US MIL- STD 202, Meth. 107, Cond. B
VIBRATION	US MIL- STD 202, Meth. 204, Cond. B
SHOCK	US MIL- STD 202, Meth. 213, Cond. I
TEMPERATURE RANGE	IEC 60068 65/165/21

* CUSTOMER OUTLINE DRAWING

UNLESS OTHERWISE SPECIFIED:
 1) EDGES : C0.15 MAX ;
 2) REMOVE ALL BURRS ;
 3) SURFACE ROUGHNESS : Ra1.6 ;
 4) UNITS : mm ;
 5) DIMENSIONS TOLERANCES
 DECIMALS : .x ±0.3 .xx ±0.2 .xxx±0.1;
 ANGLES : ± 5°.

THIRD ANGLE PROJECTION



APPROVED :	CUSTOMER P/N :
CHECKED :	SCALE :
DRAWING :	DATE :
GUO	2020-07-27

CUSTOMER P/N :	-
SCALE :	2:1
DATE :	2020-07-27
PAGE :	1/1



TITLE :	N FEMALE S/T,4-HOLE FLANGE,50Ω
DRAWING NO. :	5NCF85S-P01-008
COMPANY WEBSITE :	www.slkcorp.com

CUSTOMER OUTLINE DRAWING