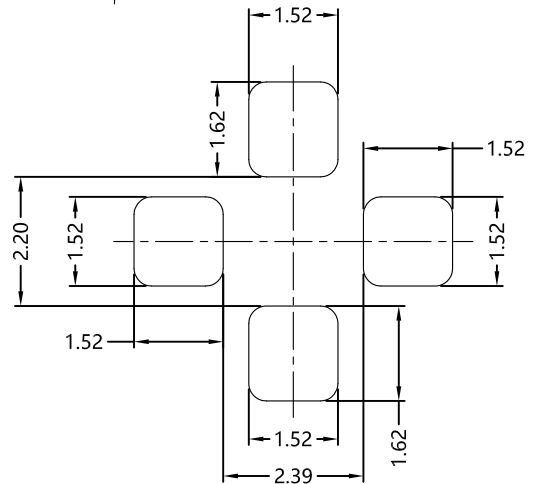
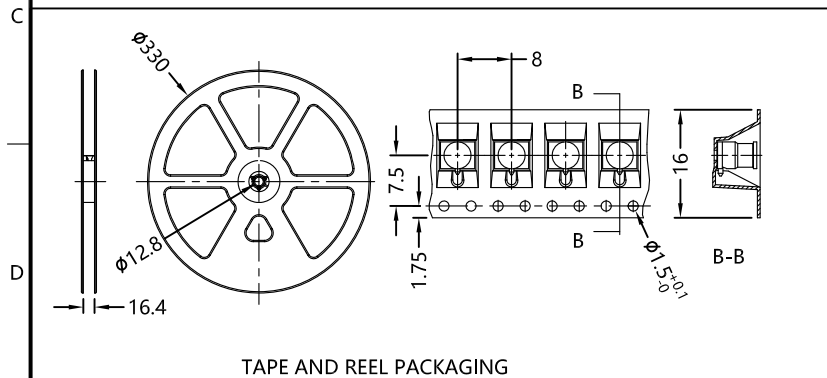
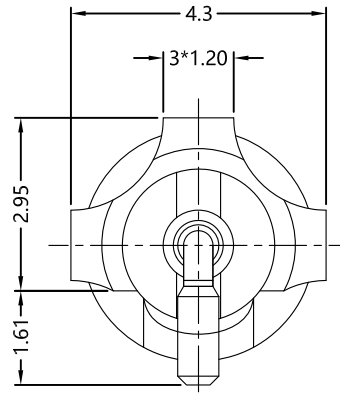
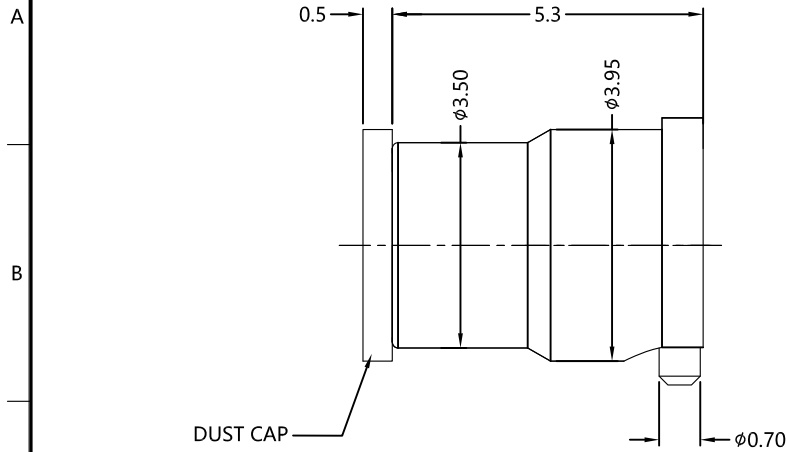


REV	DESCRIPTION	ECN NO	NAME	DATE
1	Update drawing	N/A	Ming	2018-01-05
2	NEW FRAME	N/A	Liu	2020-09-15



ALL PARTS MUST MEET TO RoHS REQUIREMENTS



MATERIALS AND PLATING		UNIT: MICRO-INCHES
BODY	BRASS C3604	GOLD 30 u" /NICKEL/COPPER
CONTACT PIN	Be-Cu C17300	GOLD 50 u" /NICKEL/COPPER
INSULATOR	PTFE ASTM-D-1710	N/A

ELECTRICAL CHARACTERISTICS	
IMPEDANCE	50 Ω
VOLTAGE RATING	175 V(rms)
FREQUENCY RANGE	0~6 GHz
DIELECTRIC WITHSTANDING VOLTAGE	>500 V
CONTACT RESISTANCE	CENTER CONTACT <5.0 m Ω
	OUTER CONTACT <2.5 m Ω
INSULATION RESISTANCE	>500 M Ω
INSERTION LOSS	N/A
VSWR	<1.35
3RD INTERMODULATION	N/A

MECHANICAL CHARACTERISTICS	
ENGAGEMENT FORCE	N/A
DISENGAGE FORCE	N/A
CENTER CONTACT RETENTION FORCE	>2.25 lbs
DURABILITY	>500 cycles

ENVIRONMENTAL CHARACTERISTICS	
TEMPERATURE RANGE	-40 $^{\circ}$ C ~ +165 $^{\circ}$ C
MECHANICAL SHOCK	MIL- STD 202, Meth 213, Cond B
VIBRATION	MIL- STD 202, Meth. 204
THERMAL SHOCK	MIL- STD 202, Meth. 107, Cond B
MOISTURE	MIL- STD 202, Meth. 103, Cond B

CUSTOMER OUTLINE DRAWING

*** CUSTOMER OUTLINE DRAWING**

UNLESS OTHERWISE SPECIFIED:
 1) C0.15 MAX;
 2) REMOVE ALL BURRS;
 3) SURFACE ROUGHNESS : Ra1.6;
 4) UNITS:mm;
 5) DIMENSIONS TOLERANCES
 DECIMALS .x \pm 0.3 .xx \pm 0.2 .xxx \pm 0.1
 ANGLES \pm 5 $^{\circ}$

THIRD ANGLE PROJECTION		
APPROVED:	CUSTOMER P/N:	-
CHECKED:	SCALE:	8:1
DRAWING:	DATE:	2020-09-15
COMPANY WEBSITE: www.slkcorp.com		

TITLE: MMCX FEMALE R/A FOR PCB SMT,50 Ω

DRAWING NO: 5MCF27R-P31