
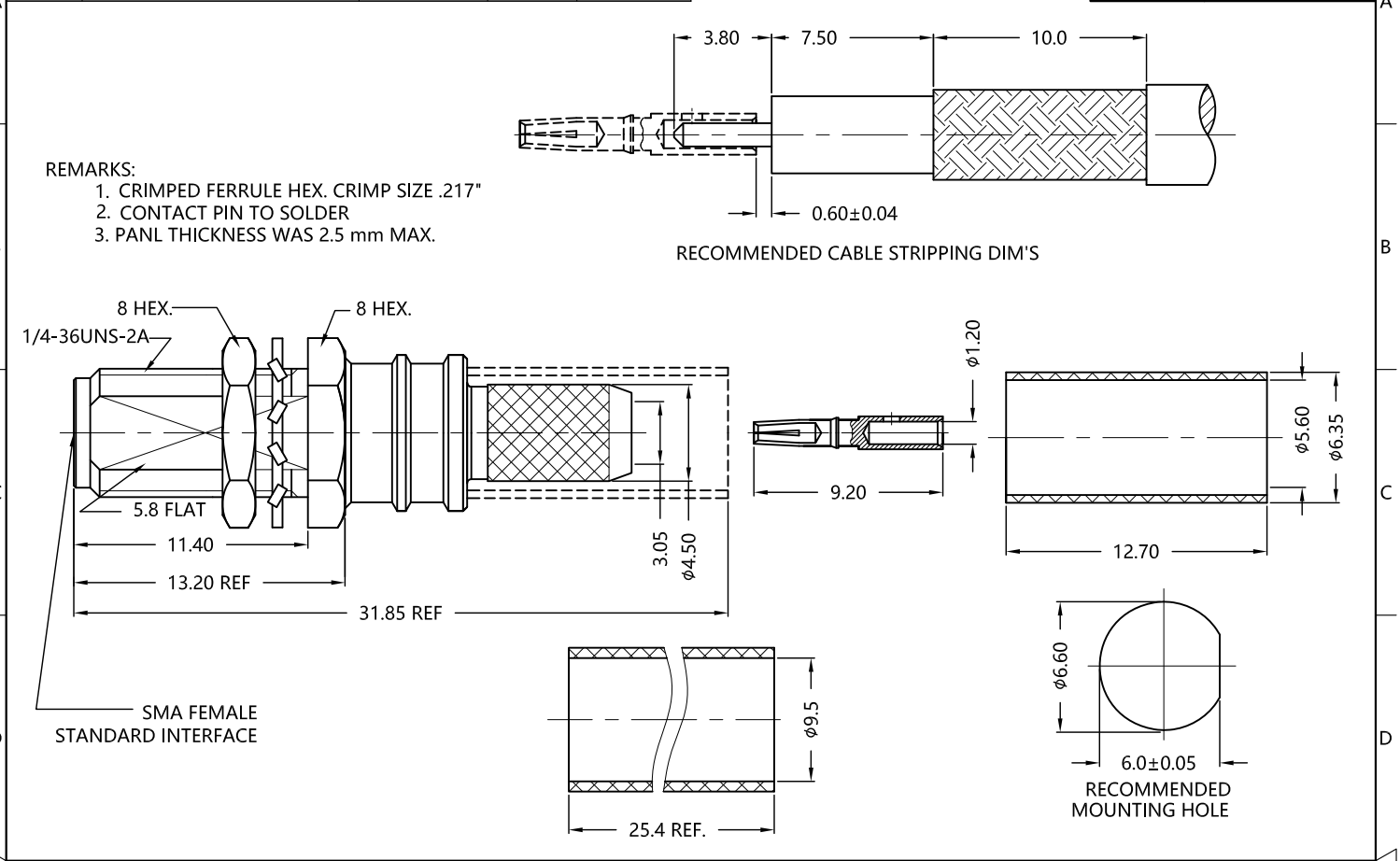
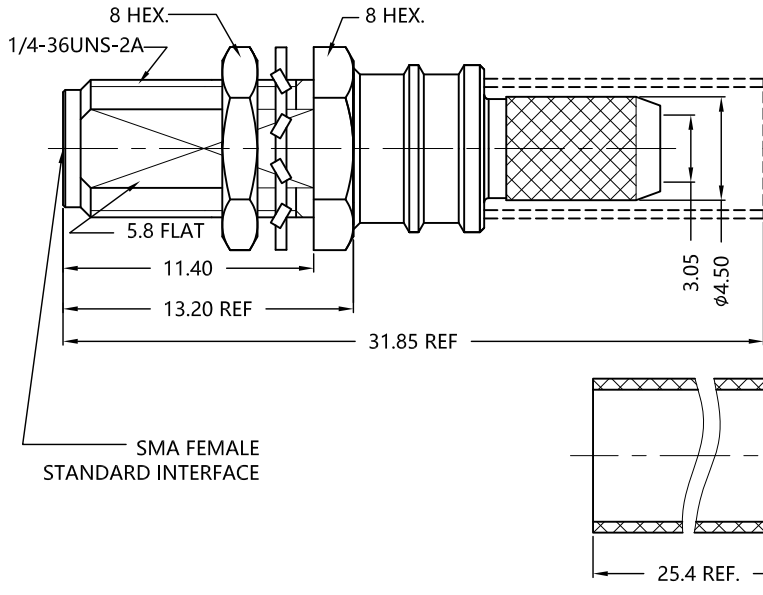


REV.	DESCRIPTION	ECN NO.	NAME	DATE	 ALL PARTS MUST MEET TO RoHS REQUIREMENTS
0	FIRST EDITION	N/A	PY	2020-06-20	



REMARKS:
1. CRIMPED FERRULE HEX. CRIMP SIZE .217"
2. CONTACT PIN TO SOLDER
3. PANL THICKNESS WAS 2.5 mm MAX.



MATERIALS AND PLATING		UNIT: MICRO-INCHES
PART NAME	MATERIALS	PLATING
BODY	BRASS C3604	NICKEL 200u"/ COPPER
INSULATOR	PTFE ASTM-D-1710	N/A
CONTACT PIN	TIN BRONZE	GOLD 15u"/NICKEL/COPPER
FERRULE	BRASS C2700	NICKEL 200u"/ COPPER

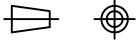
ELECTRICAL CHARACTERISTICS		
IMPEDANCE	50 Ω	
VOLTAGE RATING	335V(rms)	
FREQUENCY RANGE	0 ~ 6 GHz	
DIELECTRIC WITHSTANDING VOLTAGE	>500 V	
CONTACT RESISTANCE	CENTER CONTACT	<3.0 mΩ
	OUTER CONTACT	<2.0 mΩ
INSULATION RESISTANCE	>5000 MΩ	
INSERTION LOSS	N/A	
VSWR	< 1.25	
3RD INTERMODULATION	N/A	

MECHANICAL CHARACTERISTICS	
FORCE TO ENGAGE AND DISENGAGE	N/A
CENTER CONTACT RETENTION FORCE	>6 lbs
RECOMMENDED COUPLING TORQUE	N/A
COUPLING NUT RETENTION FORCE	N/A
DURABILITY	>500cycles

ENVIRONMENTAL PARAMETER	
TEMPERATURE RANGE	-55 °C~+125 °C
Relative Humidity	MIL-STD-202,Method 106
Vibration	MIL-STD-202,Method 204,Cond D
Shock	MIL-STD-202,Method 213,Cond I
Corrosion	MIL-STD-202,Method 101,Cond B

*** CUSTOMER OUTLINE DRAWING**

UNLESS OTHERWISE SPECIFIED:
1) EDGES : C0.15 MAX ;
2) REMOVE ALL BURRS ;
3) SURFACE ROUGHNESS : Ra1.6 ;
4) UNITS : mm ;
5) DIMENSIONS TOLERANCES
DECIMALS : .x ±0.3 .xx ±0.2 .xxx±0.1;
ANGLES : ± 5°.

THIRD ANGLE PROJECTION		
APPROVED :	CUSTOMER P/N :	
CHECKED :	SCALE :	
DRAWING :	DATE :	
	PAGE : 1/1	



TITLE : SMA FEMALE S/T FOR T-COM 200 CABLE,50Ω
DRAWING NO. : 5MAF51S-A200
COMPANY WEBSITE : www.slkcorp.com

CUSTOMER OUTLINE DRAWING