
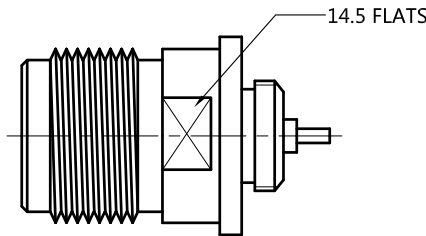
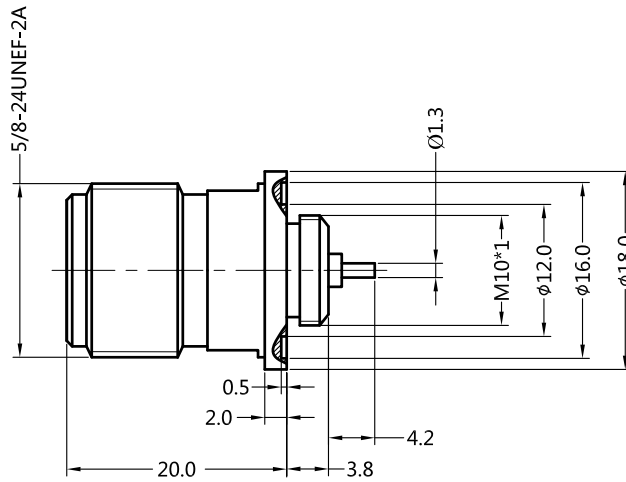


REV.	DESCRIPTION	ECN NO.	NAME	DATE	 ALL PARTS MUST MEET TO RoHS REQUIREMENTS
2	NEW FRAME	N/A	LDH	2020-7-2	



MATERIALS AND PLATING UNIT: MICRO-INCHES		
PART NAME	MATERIALS	PLATING
BODY	BRASS PER C3604	ALBALOY PLATING 80 u"/COPPER
INSULATOR	TEFLON MIL-P-19468	N/A
CONTACT PIN	PHOSPHOR BRONZE	SILVER 200-300 u"/COPPER

ELECTRICAL CHARACTERISTICS	
IMPEDANCE	50 Ω
VOLTAGE RATING	750 V(rms)
FREQUENCY RANGE	0 ~ 6 GHz
DIELECTRIC WITHSTANDING VOLTAGE	>1000V
CONTACT RESISTANCE	CENTER CONTACT <1.5 mΩ
	OUTER CONTACT <1 mΩ
INSULATION RESISTANCE	>5000 MΩ
INSERTION LOSS	ACCORDING AS THE CABLE
RF- LEAKAGE	-90 dB UP TO 3 GHZ
VSWR	N/A

MECHANICAL CHARACTERISTICS	
FORCE TO ENGAGE AND DISENGAGE	6 LBS MAX
CENTER CONTACT RETENTION FORCE	6 LBS MIN
COUPLING TORQUE	N/A
COUPLING NUT RETENTION FORCE	N/A
DURABILITY	>500cycles

ENVIRONMENTAL PARAMETER	
TEMPERATURE RANGE	-55 °C~+155 °C
THERMAL SHOCK	US MIL- STD 202, METH. 107, COND. B
VIBRATION	US MIL- STD 202, METH. 204, COND. B
SHOCK	US MIL- STD 202, METH. 213, COND. I
CLIMATIC CLASS	IEC 60068 65/165/21

* CUSTOMER OUTLINE DRAWING

UNLESS OTHERWISE SPECIFIED:

- 1) EDGES : C0.15 MAX ;
- 2) REMOVE ALL BURRS ;
- 3) SURFACE ROUGHNESS : Ra1.6 ;
- 4) UNITS : mm ;
- 5) DIMENSIONS TOLERANCES
 DECIMALS : .x ±0.3 .xx ±0.2 .xxx±0.1;
 ANGLES : ± 5°.

THIRD ANGLE PROJECTION



APPROVED :

CUSTOMER P/N :

CHECKED :

SCALE :

3 : 2

DRAWING :

LDH

DATE : 2020-7-2

PAGE : 1/1



TITLE : N FEMALE CONNECTOR FOR PCB MOUNTING,50Ω

DRAWING NO. :

5NCF04S-P01

COMPANY WEBSITE : www.slkcorp.com

CUSTOMER OUTLINE DRAWING