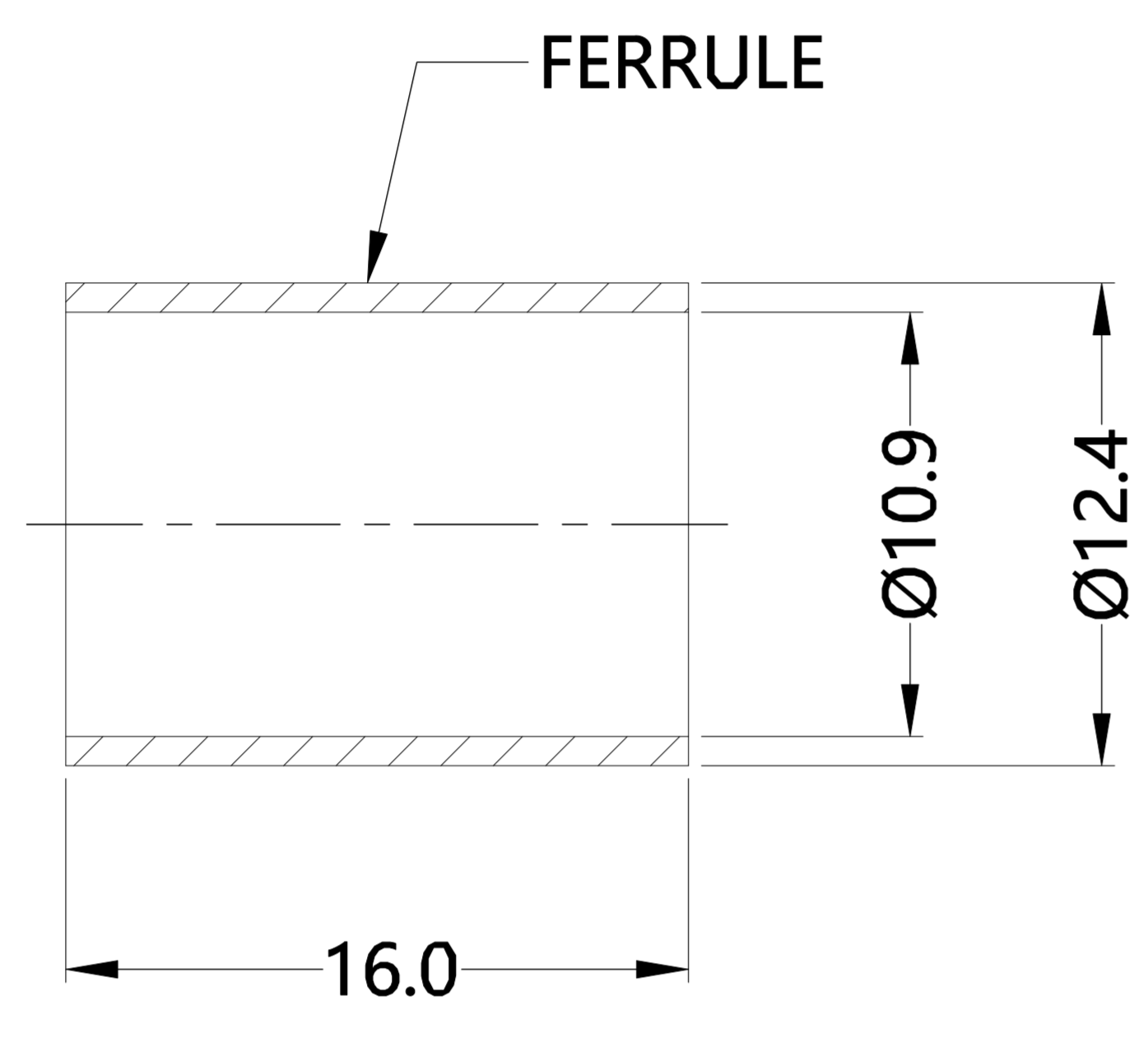
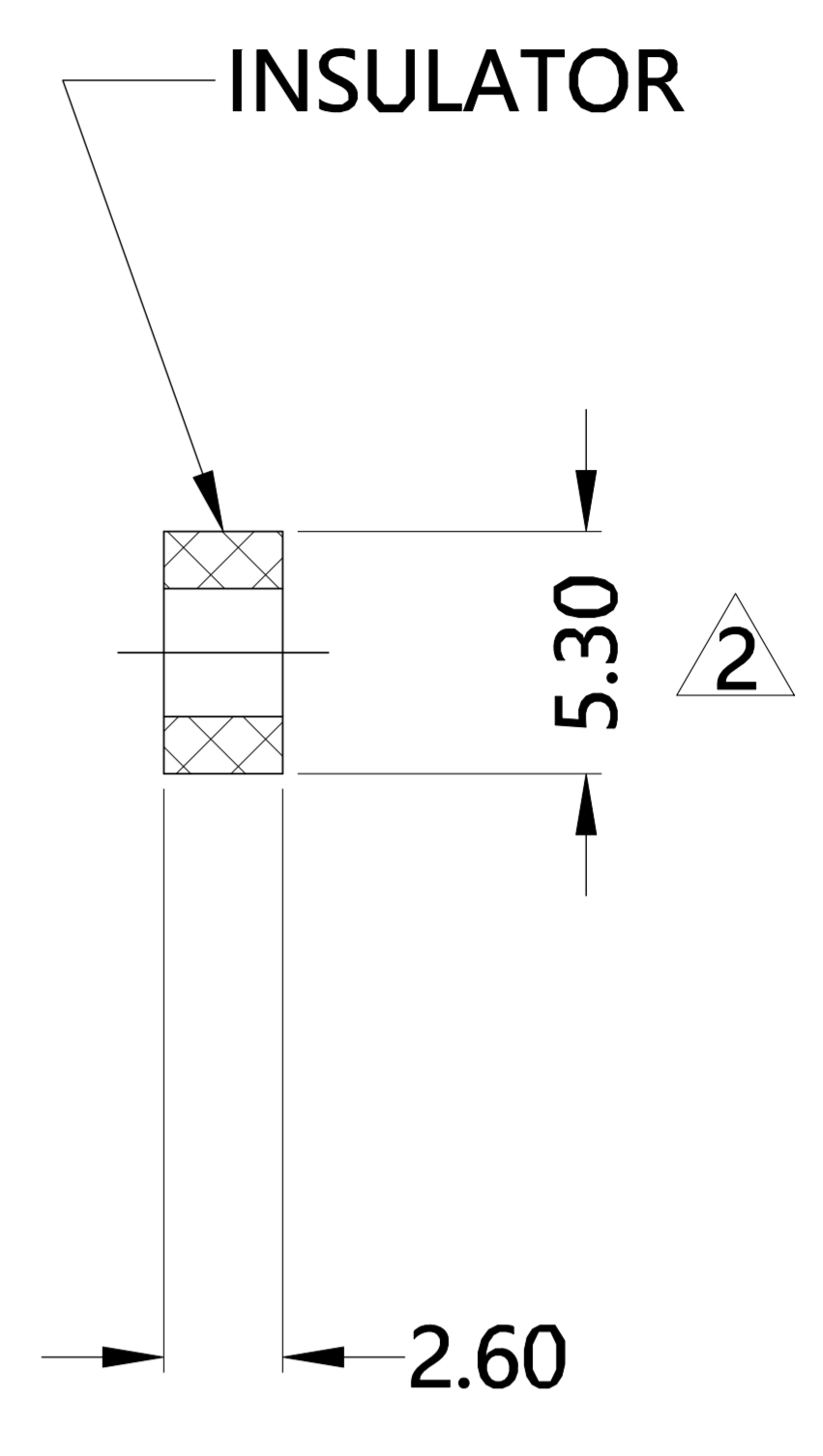
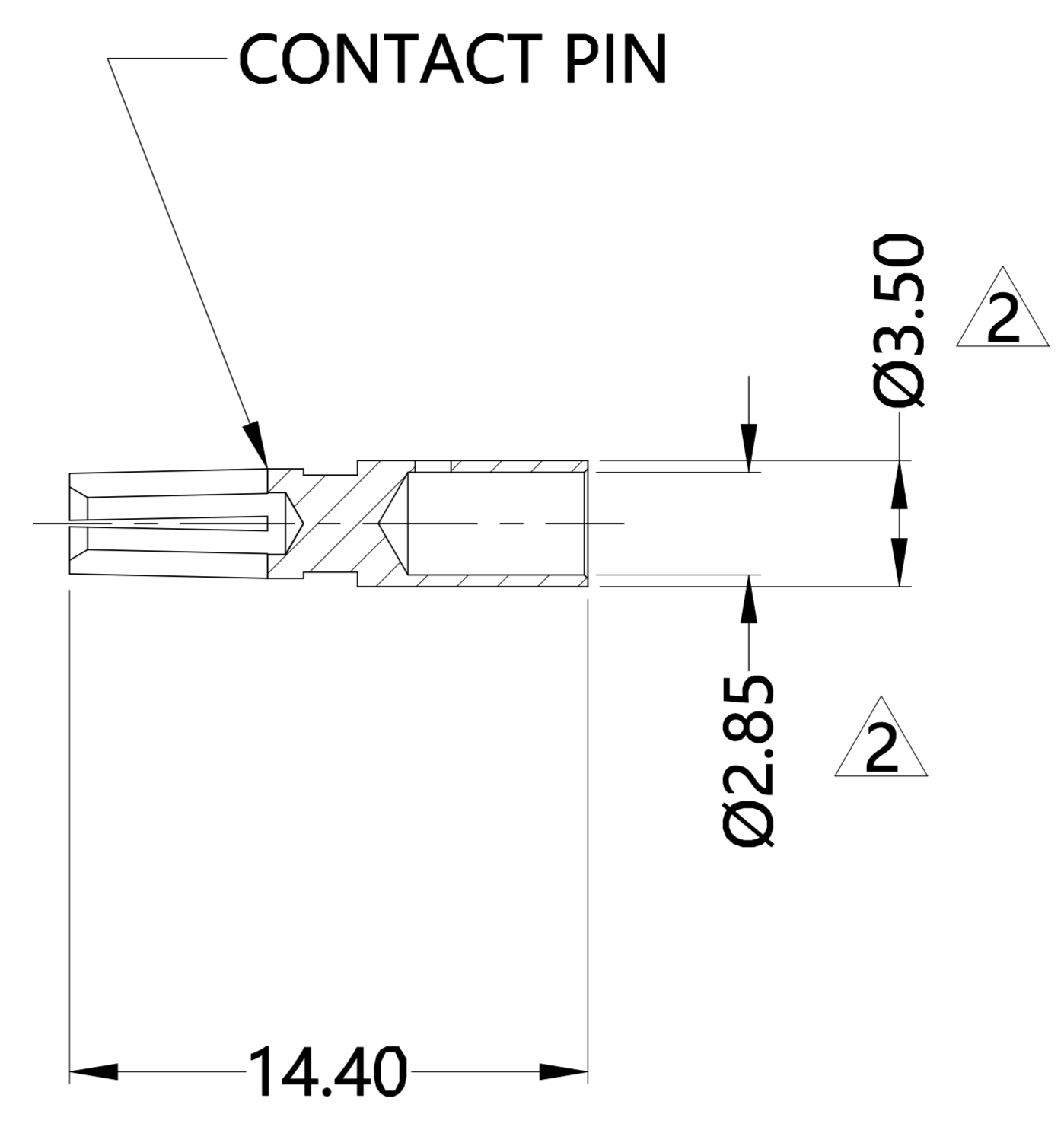
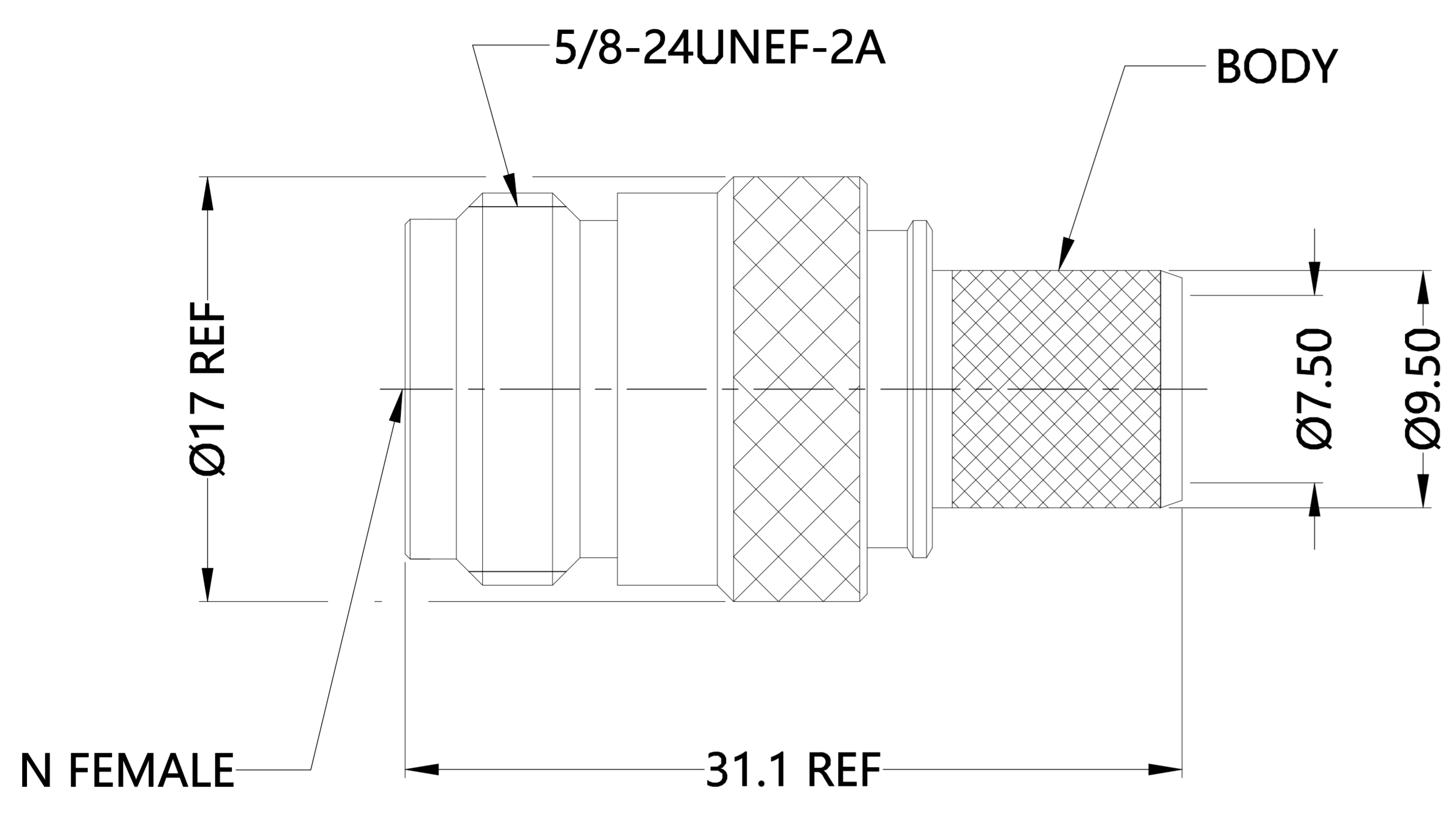


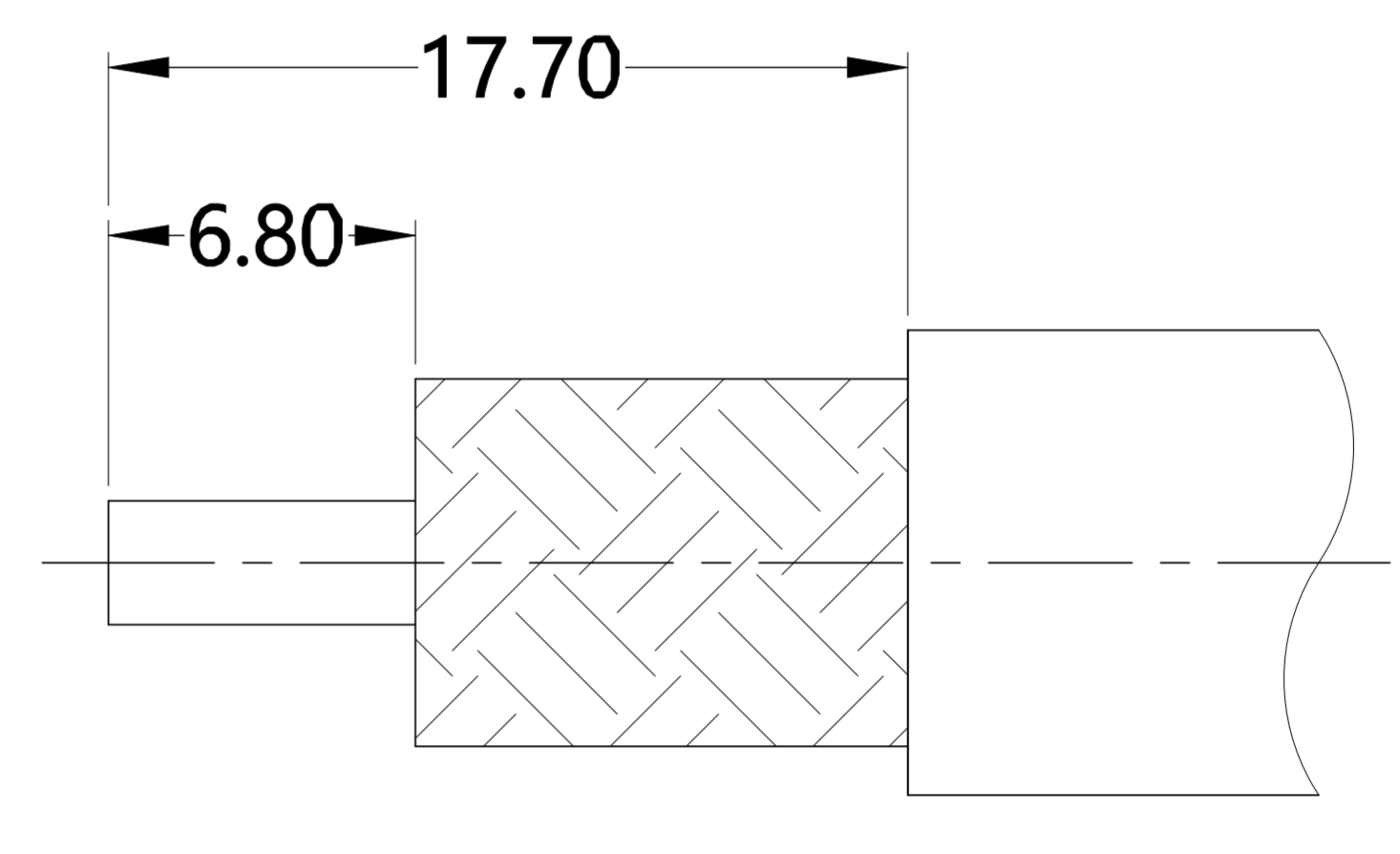
REV.	DESCRIPTION	ECN NO.	NAME	DATE
1	NEW FRAME	N/A	JING	2020-06-16
2	CORRECTION SOME DIMENSIONS	N/A	JASON	2022-09-16



ALL PARTS MUST MEET TO RoHS REQUIREMENTS



NOTES:
 1. CONTACT PIN TO SOLDER.
 2. CRIMP FERRULE FOR .429"HEX.



RECOMMENDED CABLE STRIPPING DIM'S

MATERIALS AND PLATING		UNIT: MICRO-INCHES
PART NAME	MATERIALS	PLATING
BODY	BRASS C3604	ALBALOY 80 u"MIN./COPPER
CONTACT PIN	BERYLLIUM COPPER	GOLD 15 u"MIN./COPPER
INSULATOR	TEFLON MIL-P-19468	NATURAL
FERRULE	BRASS	ALBALOY 80 u"MIN./COPPER

ELECTRICAL CHARACTERISTICS	
IMPEDANCE	50 Ω
VOLTAGE RATING	335 V(rms)
FREQUENCY RANGE	DC ~ 4 GHz
DIELECTRIC WITHSTANDING VOLTAGE	>500 V
CONTACT RESISTANCE	CENTER CONTACT <1.5 mΩ
	OUTER CONTACT <1.0 mΩ
INSULATION RESISTANCE	>5000 MΩ
INSERTION LOSS	<0.1 x √F(GHz) dB
VSWR	<1.30
3D INTERMODULATION	N/A

MECHANICAL CHARACTERISTICS	
CENTER CONTACT RETENTION FORCE	N/A
COUPLING PROOF TORQUE	N/A
COUPLING NUT RETENTION FORCE	N/A
DURABILITY	> 500 cycles

ENVIRONMENTAL PARAMETER	
TEMPERATURE RANGE	-55 °C ~ +155 °C

* CUSTOMER OUTLINE DRAWING

UNLESS OTHERWISE SPECIFIED:
 1) EDGES : C0.15 MAX ;
 2) REMOVE ALL BURRS ;
 3) SURFACE ROUGHNESS : Ra1.6 ;
 4) UNITS : mm ;
 5) DIMENSIONS TOLERANCES
 DECIMALS : .x ±0.3 .xx ±0.2 .xxx±0.1 ;
 ANGLES : ± 5°.

THIRD ANGLE PROJECTION	
APPROVED :	CUSTOMER P/N :
CHECKED :	SCALE :
DRAWING :	DATE :
JASON	2022-09-16
PAGE : 1/1	

TITLE : N FEMALE S/T FOR LMR-400 CABLE, 50Ω
 DRAWING NO. : 5NCF11S-A11-016
 COMPANY WEBSITE : www.slkcorp.com

CUSTOMER OUTLINE DRAWING