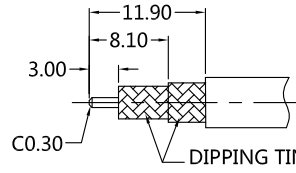


REV.	DESCRIPTION	ECN NO.	NAME	DATE					
3	NEW FRAME	N/A	LDH	2020-7-21					

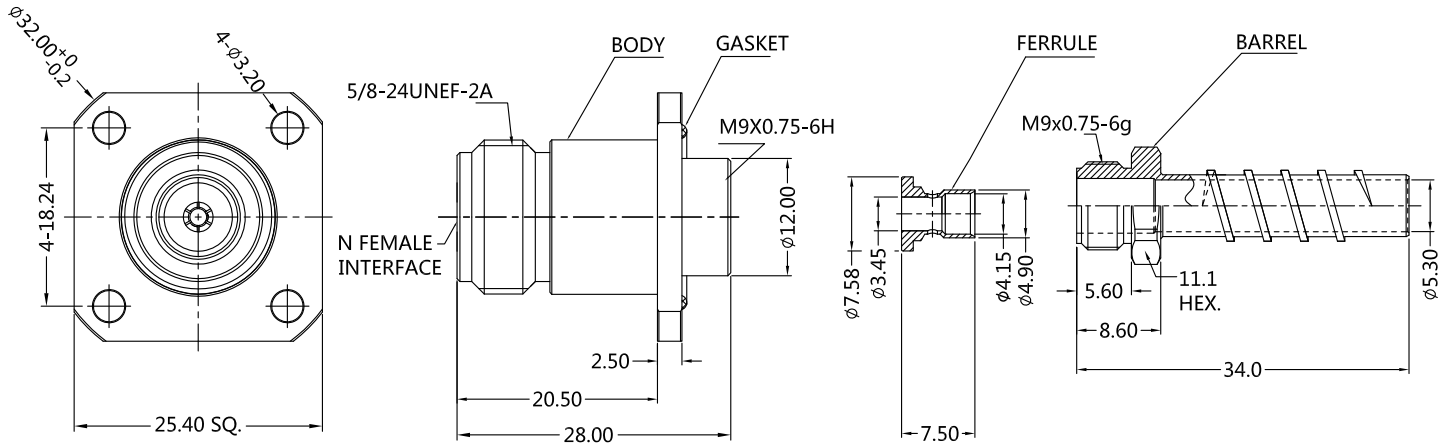


ALL PARTS MUST MEET TO RoHS REQUIREMENTS

REMARKS:
 1.ADDS SIZE:18.7mm
 2.CONTACT PIN TO CAPTIVE
 3.FERRULE TO SOLDER



RECOMMENDED CABLE STRIPPING DIM'S



MATERIALS AND PLATING		UNIT: MICRO-INCHES
PART NAME	MATERIALS	PLATING
BODY	STAINLESS STEEL	PASSIVATION
INSULATOR	ULTEM 1000 PEI	NATURAL
CONTACT PIN	BERYLLIUM COPPER	GOLD 50u"/COPPER
O-RING	SILICONE	RED
FERRULE	BRASS C3604	GOLD 10u"/NICKEL/COPPER
BARREL	BRASS C3604	NICKEL 100u" /COPPER

ELECTRICAL CHARACTERISTICS	
IMPEDANCE	50 Ω
VOLTAGE RATING	N/A
FREQUENCY RANGE	0 ~ 18 GHz
DIELECTRIC WITHSTANDING VOLTAGE	>1000 V
CONTACT RESISTANCE	CENTER CONTACT <1.0 mΩ
	OUTER CONTACT <0.2 mΩ
INSULATION RESISTANCE	>5000 MΩ
INSERTION LOSS	< 0.1x √F(GHz) dB
VSWR	<1.20@0-6 GHz <1.30@6-18 GHz
3RD INTERMODULATION	N/A
MAXIMUM OUTPUT POWER	>120 W@6 GHz

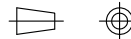
MECHANICAL CHARACTERISTICS	
FORCE TO ENGAGE AND DISENGAGE	N/A
CENTER CONTACT RETENTION FORCE	>6 lbs
COUPLING PROOF TORQUE	N/A
COUPLING NUT RETENTION FORCE	N/A
DURABILITY	>500 cycles

ENVIRONMENTAL PARAMETER	
TEMPERATURE RANGE	-40 °C ~ +125 °C
THERMAL SHOCK	US MIL- STD 202, METH. 107, COND. B
VIBRATION	US MIL- STD 202, METH. 204, COND. B
SHOCK	US MIL- STD 202, METH. 213, COND. I

* CUSTOMER OUTLINE DRAWING

UNLESS OTHERWISE SPECIFIED:
 1) EDGES : C0.15 MAX ;
 2) REMOVE ALL BURRS ;
 3) SURFACE ROUGHNESS : Ra1.6 ;
 4) UNITS : mm ;
 5) DIMENSIONS TOLERANCES
 DECIMALS : .x ±0.3 .xx ±0.2 .xxx±0.1;
 ANGLES : ± 5°.

THIRD ANGLE PROJECTION



APPROVED :

CUSTOMER P/N :

CHECKED :

SCALE :

4 : 3

DRAWING :

LDH

DATE : 2020-7-21

PAGE : 1/1



TITLE : N FEMALE S/T 4-HOLE FLANGE FOR SFT-402 CABLE,50Ω

DRAWING NO. :

5NCF85S-A87

COMPANY WEBSITE : www.slkcorp.com

CUSTOMER OUTLINE DRAWING