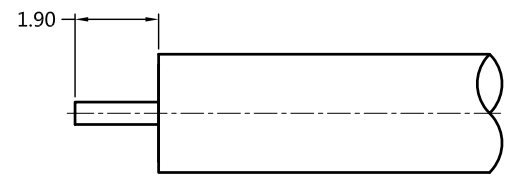


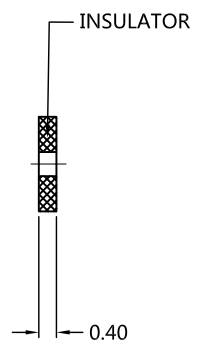
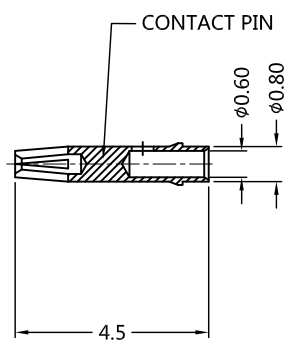
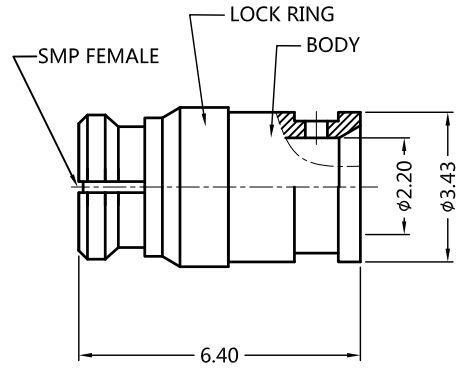
REV	DESCRIPTION	ECN NO	NAME	DATE
0	FIRST EDITION	N/A	YY	2009-04-13
1	NEW FRAME	N/A	LW	2020-07-15



ALL PARTS MUST MEET TO RoHS REQUIREMENTS



RECOMMENDED CABLE STRIPPING DIM'S



MATERIALS AND PLATING		UNIT: MICRO-INCHES
BODY	BERYLLIUM COPPER	GOLD 3 u"/NICKEL/COPPER
CONTACT PIN	BERYLLIUM COPPER	GOLD 10 u" /NICKEL/COPPER
INSULATOR	PTFE ASTM-D-1710	N/A
LOCK RING	BERYLLIUM COPPER	GOLD 3 u"/NICKEL/COPPER

ELECTRICAL CHARACTERISTICS	
IMPEDANCE	50 Ω
VOLTAGE RATING	175 V(rms)
FREQUENCY RANGE	0~6 GHz
DIELECTRIC WITHSTANDING VOLTAGE	>500 V
CONTACT RESISTANCE	CENTER CONTACT <6.0 mΩ
	OUTER CONTACT <3.0 mΩ
INSULATION RESISTANCE	>5000 MΩ
INSERTION LOSS	<0.1v/F dB
VSWR	<1.3
3RD INTERMODULATION	N/A

MECHANICAL CHARACTERISTICS		
CENTER CONTACT RETENTION FORCE	N/A	
FORCE TO ENGAGE AND DISENGAGE	FULL DETENT	<15 lbs (ENGAGE FORCE)
		>5 lbs (DISENGAGE FORCE)
	LIMITED DETENT	<10 lbs (ENGAGE FORCE)
		>2 lbs (DISENGAGE FORCE)
	SMOOTH BORE	<2 lbs (ENGAGE FORCE)
		>0.5 lbs (DISENGAGE FORCE)
DURABILITY	>100 cycles (FULL DETENT); >500 cycles (SMOOTH BORE)	

ENVIRONMENTAL CHARACTERISTICS	
TEMPERATURE RANGE	-40 °C~+165 °C
THERMAL SHOCK	MIL- STD 202, Meth. 107,Cond. B
VIBRATION	MIL- STD 202, Meth. 204,Cond. D
SHOCK	MIL- STD 202, Meth. 213,Cond. I

CUSTOMER OUTLINE DRAWING

*** CUSTOMER OUTLINE DRAWING**

UNLESS OTHERWISE SPECIFIED:
 1) C0.15 MAX;
 2) REMOVE ALL BURRS;
 3) SURFACE ROUGHNESS : Ra1.6;
 4) UNITS:mm;
 5) DIMENSIONS TOLERANCES
 DECIMALS .x ±0.3 .xx ±0.2 .xxx±0.1
 ANGLES ±5°

THIRD ANGLE PROJECTION	
APPROVED:	CUSTOMER P/N:
CHECKED:	SCALE:
DRAWING:	DATE: 2020-07-15
COMPANY WEBSITE: www.slkcorp.com	

TITLE: SMP FEMALE S/T SOLDER FOR .085" CABLE,50Ω

DRAWING NO: 5SPF14S-S01