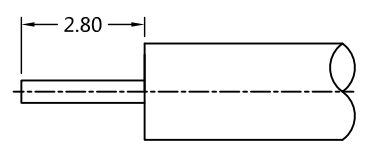


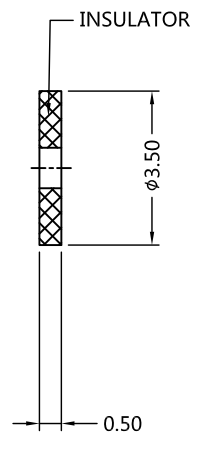
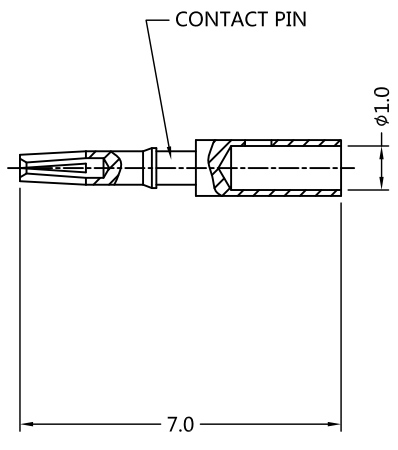
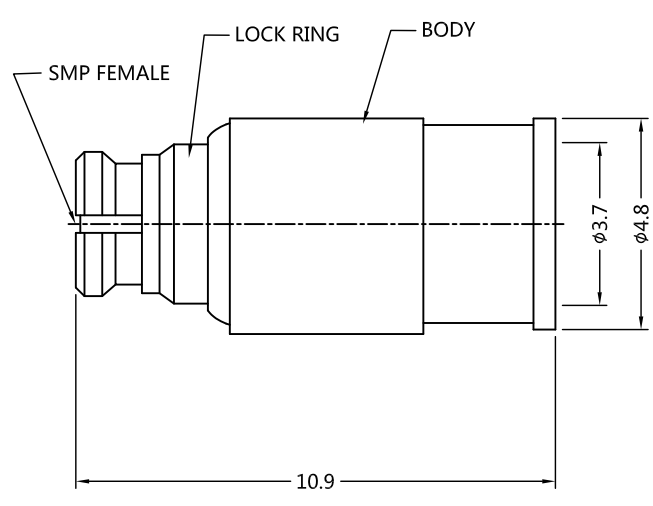
REV	DESCRIPTION	ECN NO	NAME	DATE
1	Modify dimensions	N/A	Flame	2014-06-24
2	NEW FRAME	N/A	LW	2020-07-15



ALL PARTS MUST MEET TO RoHS REQUIREMENTS



RECOMMENDED CABLE STRIPPING DIM'S



MATERIALS AND PLATING		UNIT: MICRO-INCHES
BODY	BRASS	GOLD 3 u"/NICKEL/COPPER
CONTACT PIN	BERYLLIUM COPPER	GOLD 5 u"/NICKEL/COPPER
INSULATOR	PTFE ASTM-D-1710	N/A
OUTER CONTACT	BERYLLIUM COPPER	GOLD 3 u"/NICKEL/COPPER
LOCK RING	BERYLLIUM COPPER	GOLD 3 u"/NICKEL/COPPER

ELECTRICAL CHARACTERISTICS		
IMPEDANCE	50 Ω	
VOLTAGE RATING	175 V(rms)	
FREQUENCY RANGE	0~6 GHz	
DIELECTRIC WITHSTANDING VOLTAGE	>500 V	
CONTACT RESISTANCE	CENTER CONTACT	<6.0 mΩ
	OUTER CONTACT	<3.0 mΩ
INSULATION RESISTANCE	>5000 MΩ	
INSERTION LOSS	<0.1v/F dB	
VSWR	<1.30	
3RD INTERMODULATION	N/A	

MECHANICAL CHARACTERISTICS		
CENTER CONTACT RETENTION FORCE	N/A	
FORCE TO ENGAGE AND DISENGAGE	FULL DETENT	<15 lbs (ENGAGE FORCE)
		>5 lbs (DISENGAGE FORCE)
	LIMITED DETENT	<10 lbs (ENGAGE FORCE)
		>2 lbs (DISENGAGE FORCE)
	SMOOTH BORE	<2 lbs (ENGAGE FORCE)
		>0.5 lbs (DISENGAGE FORCE)
DURABILITY	>100 cycles (FULL DETENT); >500 cycles (SMOOTH BORE)	

ENVIRONMENTAL CHARACTERISTICS	
TEMPERATURE RANGE	-40 °C~+165 °C
THERMAL SHOCK	MIL- STD 202, Meth. 107,Cond. B
VIBRATION	MIL- STD 202, Meth. 204,Cond. D
SHOCK	MIL- STD 202, Meth. 213,Cond. I

**\* CUSTOMER OUTLINE DRAWING**

UNLESS OTHERWISE SPECIFIED:  
 1) C0.15 MAX;  
 2) REMOVE ALL BURRS;  
 3) SURFACE ROUGHNESS : Ra1.6;  
 4) UNITS:mm;  
 5) DIMENSIONS TOLERANCES  
 DECIMALS .x ±0.3 .xx ±0.2 .xxx±0.1  
 ANGLES ±5°

THIRD ANGLE PROJECTION	
APPROVED:	CUSTOMER P/N:
CHECKED:	SCALE:
DRAWING:	DATE: 2020-07-15
COMPANY WEBSITE: www.slkcorp.com	

TITLE: SMP FEMALE S/T SOLDER FOR RG-402 CABLE,50Ω  
 DRAWING NO: 5SPF15S-S02-001

CUSTOMER OUTLINE DRAWING