
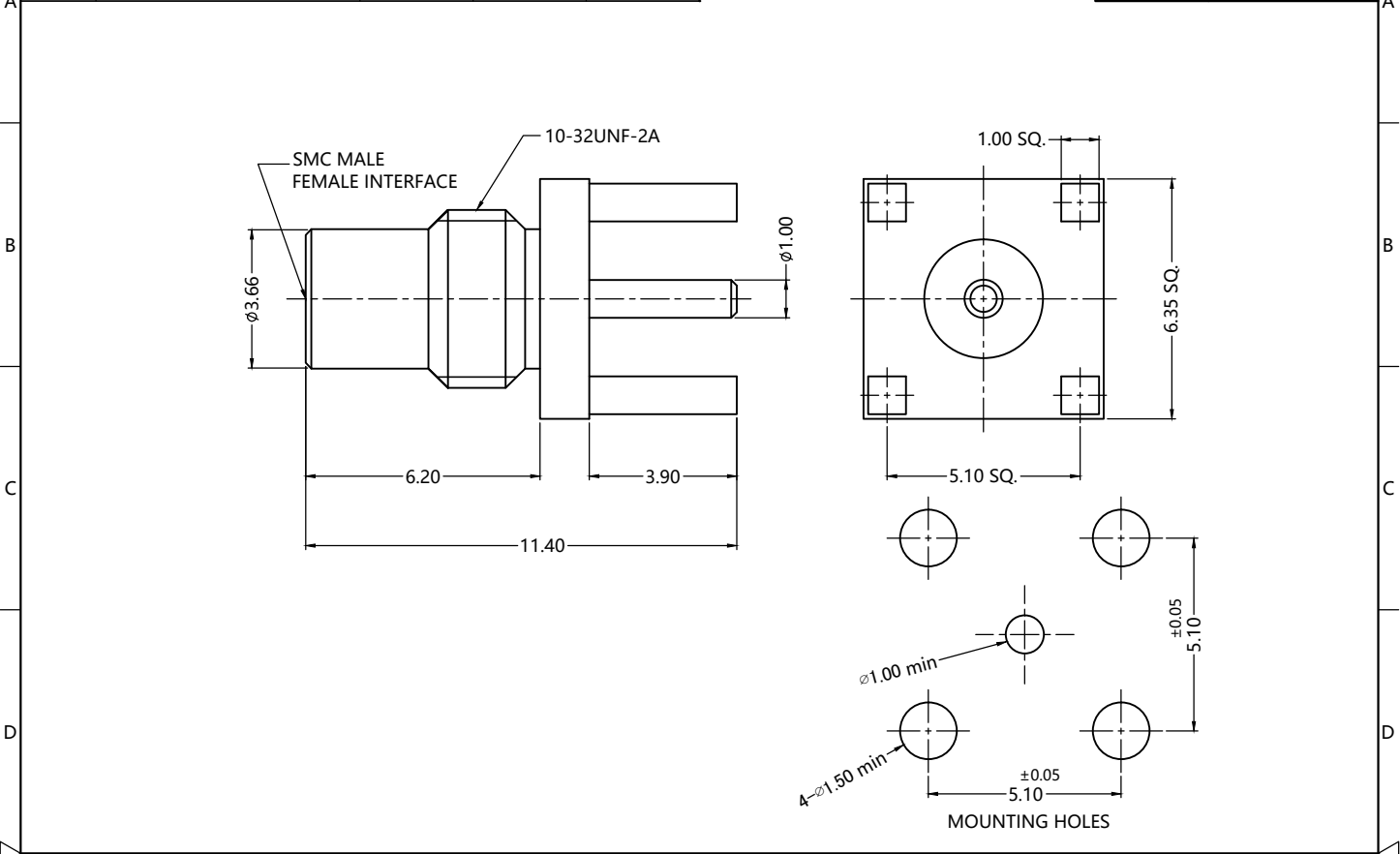


REV.	DESCRIPTION	ECN NO.	NAME	DATE	 ALL PARTS MUST MEET TO RoHS REQUIREMENTS
A0	FIRST EDITION	N/A	YWD	2017-05-17	
A1	NEW FRAME	N/A	HYH	2020-06-29	



MATERIALS AND PLATING		UNIT: MICRO-INCHES
PART NAME	MATERIALS	PLATING
BODY	BRASS C3604	GOLD PL.3u"/NICKEL/COPPER
CONTACT PIN	BRASS C3604	GOLD PL.10u"/COPPER
INSULATOR	PTFE ASTM-D-1710	N/A

ELECTRICAL CHARACTERISTICS		
IMPEDANCE	50 Ω	
VOLTAGE RATING	250 V(rms)	
FREQUENCY RANGE	0 ~ 10 GHz	
DIELECTRIC WITHSTANDING VOLTAGE	>750 V	
CONTACT RESISTANCE	CENTER CONTACT	<6.0 mΩ
	OUTER CONTACT	<1.0 mΩ
INSULATION RESISTANCE	>1000 MΩ	
INSERTION LOSS	<0.1x√F GHz	
VSWR	<1.35	
3RD INTERMODULATION	N/A	

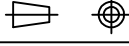
MECHANICAL CHARACTERISTICS	
FORCE TO ENGAGE AND DISENGAGE	N/A
CENTER CONTACT RETENTION FORCE	N/A
COUPLING PROOF TORQUE	N/A
COUPLING NUT RETENTION FORCE	N/A
DURABILITY	> 500 cycles

ENVIRONMENTAL PARAMETER	
TEMPERATURE RANGE	-65 °C~+165 °C

CUSTOMER OUTLINE DRAWING

*** CUSTOMER OUTLINE DRAWING**

UNLESS OTHERWISE SPECIFIED:
 1) EDGES : C0.15 MAX ;
 2) REMOVE ALL BURRS ;
 3) SURFACE ROUGHNESS : Ra1.6 ;
 4) UNITS : mm ;
 5) DIMENSIONS TOLERANCES
 DECIMALS : .x ±0.3 .xx ±0.2 .xxx±0.1;
 ANGLES : ± 5°.

THIRD ANGLE PROJECTION		
APPROVED :	CUSTOMER P/N :	
CHECKED :	SCALE :	1 : 1
DRAWING :	DATE :	2020-06-29
HYH	PAGE :	1/1



TITLE : SMC FEMALE S/T FOR PCB THROUGH HOLE, 50Ω
 DRAWING NO. : 5AMF25S-P41
 COMPANY WEBSITE : www.slkcorp.com