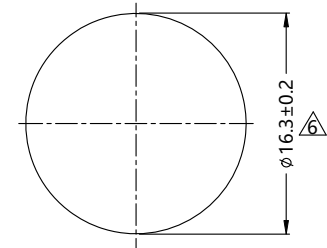
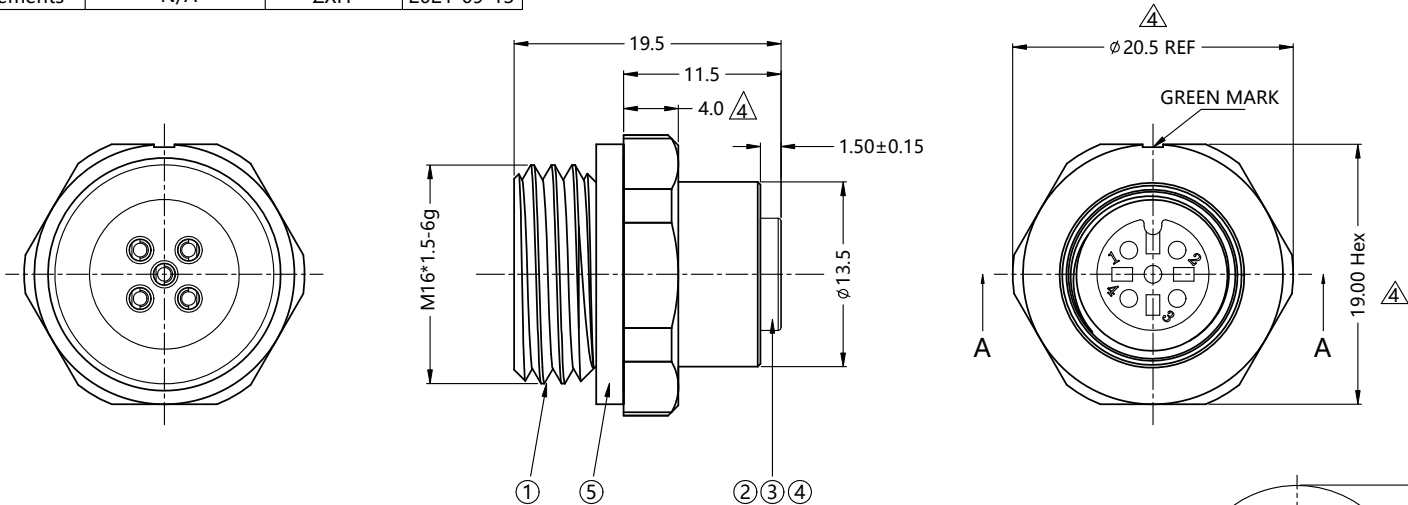


REV	DESCRIPTION	ECN NO.	NAME	DATE
0	FIRST EDITION	N/A	Ming	2018-12-27
1	Update drawing	N/A	Ming	2019-07-01
2	Update drawing	N/A	Ming	2019-07-02
3	Add the O-ring	N/A	ZXH	2019-08-26
4	Change The Metal Sheel	N/A	ZXH	2019-09-25
5	Add The Couolor Option	N/A	ZXH	2020-04-21
6	Change the panel specification	N/A	ZXH	2020-12-02
7	Add environmental requirements	N/A	ZXH	2021-09-13

NOTICE: ALL PARTS MUST MEET TO RoHS REQUIREMENTS

RoHS



RECOMMENDED PANEL CUT-OUT

MATERIAL LIST

NO	DESCRIPTION	MATERIAL	FINISH
1	METAL SHELL	STAINLESS STEEL	PASSIVATION
2	INSULATOR	NYLON +GF, UL 94V-0	N/A
3	CONTACT PIN	COPPER ,ALLOY	GOLD PLATED 10u"
7	O-RING	VITON (FKM) BLACK (ROHS ,REACH,POPs)	N/A
7	O-RING	VITON (FKM) BLACK (ROHS ,REACH,POPs)	N/A

5	M12 D-CODED MODEL NUMBER	COLOR CODE	INSULATOR COLOR
5QTF35S-A00-002	GN	GREEN	
	YE	YELLOW	
	BK	BLACK	
	WH	WHITE	
	RD	RED	
	VI	VIOLET	

TECHNICAL DATA
 RATED VOLTAGE: 60V
 RATED IMPULSE VOLTAGE: 250V
 RATED CURRENT: 4A
 VOLUME RESISTIVITY: <3mΩ
 DEGREE OF PROTECTION: IP68(1M DEPTH OF WATER IN 24HOURS)
 TEMPERATURE CHANGE TEST: -40°C ~ +105°C

ISSUE	7	SCALE	2:1	PART NO.	-
				APPROVED	
UNLESS OTHERWISE SPECIFIED 1) EDGES C0.15 MAX. 2) REMOVE ALL BURRS 3). SURFACE ROUGHNESS Ra1.6 4).UNITS: mm 5). XX±0.20 .X±1				CHECKED	
				DRAWN	DRAWING NO. 5QTF35S-A00-002
				DATE 2021-09-13	Company Website: http://www.slkcorp.com

CUSTOMER OUTLINE DRAWING

CUSTOMER OUTLINE DRAWING