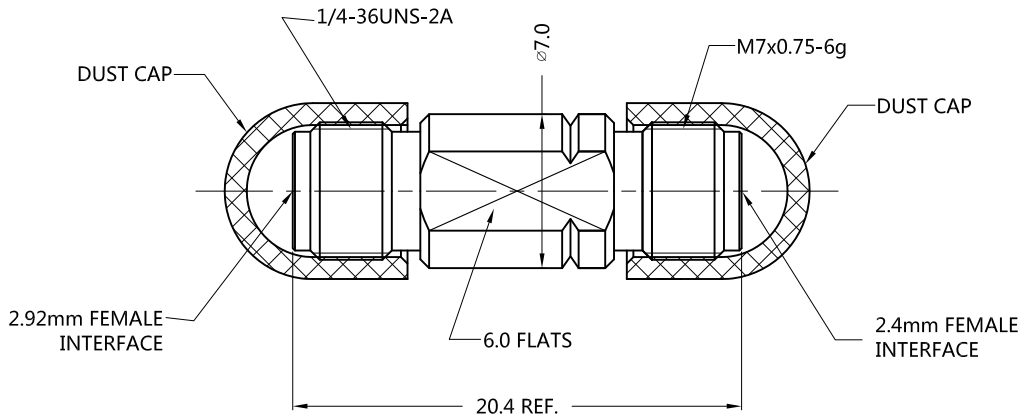
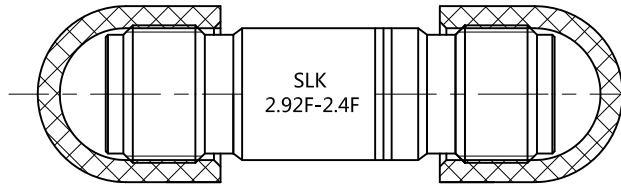


REV.	DESCRIPTION	ECN NO.	NAME	DATE
A0	FIRST EDITION	N/A	WYJ	2017-06-02
A1	UPDATE DRAWING	N/A	JASON	2020-05-20



ALL PARTS MUST MEET TO RoHS REQUIREMENTS



MATERIALS AND PLATING		UNIT: MICRO-INCHES
PART NAME	MATERIALS	PLATING
BODY	STAINLESS STEEL	PASSIVATION
CONTACT PIN	Be-Cu C17300	GOLD PL./COPPER
INSULATOR	PEI	N/A
DUST CAP	PVC	N/A

ELECTRICAL CHARACTERISTICS	
IMPEDANCE	50 Ω
VOLTAGE RATING	335 V(rms)
FREQUENCY RANGE	0 ~ 40 GHz
DIELECTRIC WITHSTANDING VOLTAGE	>1000 V
CONTACT RESISTANCE	CENTER CONTACT <3.0 mΩ
	OUTER CONTACT <2.0 mΩ
INSULATION RESISTANCE	>500 MΩ (2.4mm) >1000MΩ (2.92mm)
INSERTION LOSS	< 0.05x√F(GHz) dB
VSWR	<1.2
3RD INTERMODULATION	N/A

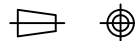
MECHANICAL CHARACTERISTICS	
FORCE TO ENGAGE AND DISENGAGE	< 4.5 N (2.92mm) <1.4 N (2.4mm)
CENTER CONTACT RETENTION FORCE	> 6 lbs
RECOMMENDED COUPLING TORQUE	N/A
COUPLING NUT RETENTION FORCE	N/A
DURABILITY	> 500 cycles

ENVIRONMENTAL PARAMETER	
TEMPERATURE RANGE	-40 °C ~ +85 °C

*** CUSTOMER OUTLINE DRAWING**

UNLESS OTHERWISE SPECIFIED:
 1) EDGES : C0.15 MAX ;
 2) REMOVE ALL BURRS ;
 3) SURFACE ROUGHNESS : Ra1.6 ;
 4) UNITS : mm ;
 5) DIMENSIONS TOLERANCES
 DECIMALS : .x ±0.3 .xx ±0.2 .xxx±0.1 ;
 ANGLES : ± 5°.

THIRD ANGLE PROJECTION



APPROVED :
 CHECKED :
 DRAWING : JASON

CUSTOMER P/N :
 SCALE : 1 : 1
 DATE : 2020-05-20
 PAGE : 1/1



TITLE : 2.4mm FEMALE TO 2.92mm FEMALE ADAPTER
 DRAWING NO. : T-5P4F06S-P9F-006
 COMPANY WEBSITE : www.slkcorp.com

CUSTOMER OUTLINE DRAWING