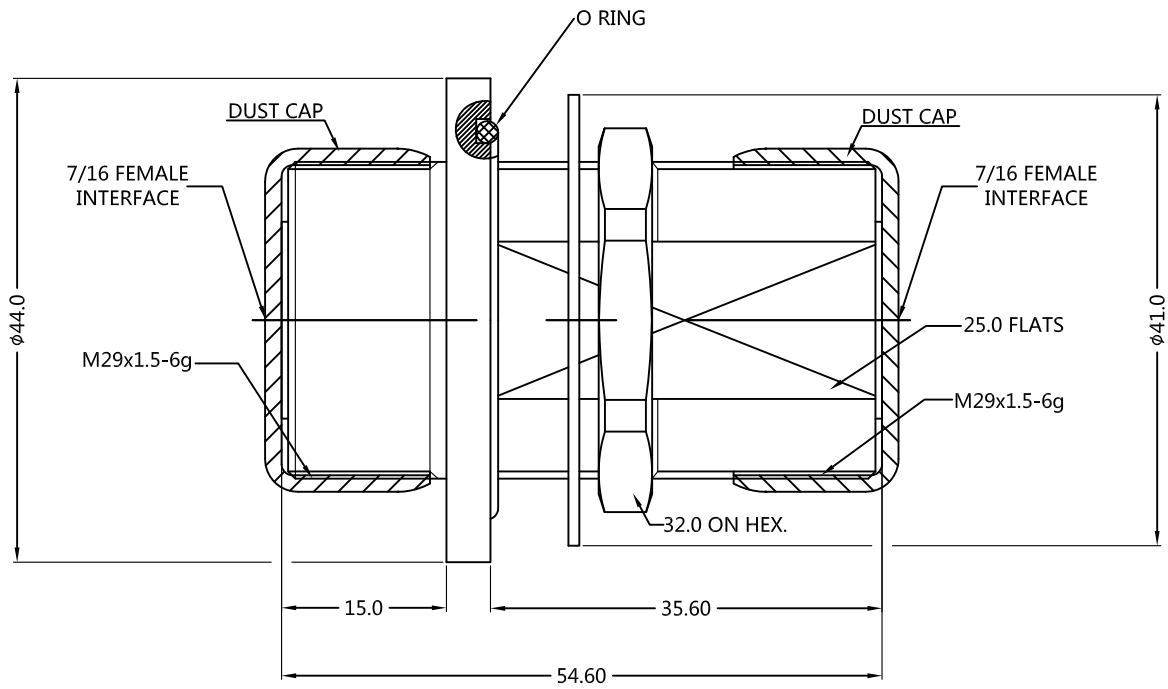


REV.	DESCRIPTION	ECN NO.	NAME	DATE
1	NEW FRAME	N/A	Kevin.Li	2020-04-22



ALL PARTS MUST MEET TO RoHS REQUIREMENTS



MATERIALS AND PLATING		UNIT: MICRO-INCHES
PART NAME	MATERIALS	PLATING
BODY	BRASS C3604	ALBALOY 80u"/COPPER
INSULATOR	PTFE ASTM-D-1710	N/A
CONTACT PIN	NON-MAGNETIC PHOSPHOR BRONZE	SILVER 200u"/COPPER
GASKET	SILICONE	N/A
DUST CAP	PVC	N/A

ELECTRICAL CHARACTERISTICS	
IMPEDANCE	50 Ω
VOLTAGE RATING	600V(rms)
FREQUENCY RANGE	0 ~ 3 GHz
DIELECTRIC WITHSTANDING VOLTAGE	>2000V
CONTACT RESISTANCE	CENTER CONTACT
	OUTER CONTACT
INSULATION RESISTANCE	>10000 MΩ
INSERTION LOSS	< 0.1 dB
VSWR	< 1.08 @ 0 ~ 3.0GHz
3RD INTERMODULATION	<-165 dBc @2x43 dBm 900MHz/1800MHz

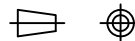
MECHANICAL CHARACTERISTICS	
CENTER CONTACT RETENTION FORCE	> 45 lbs
RECOMMENDED COUPLING TORQUE	221-260 in-lbs
COUPLING NUT RETENTION FORCE	>225 lbs
DURABILITY	> 500 cycles

ENVIRONMENTAL PARAMETER	
TEMPERATURE RANGE	-40°C- +125°C
SHOCK	US MIL- STD 202, Meth. 213, Cond. I
VIBRATION	US MIL- STD 202, Meth. 204, Cond. B

**\* CUSTOMER OUTLINE DRAWING**

UNLESS OTHERWISE SPECIFIED:  
 1) EDGES : C0.15 MAX ;  
 2) REMOVE ALL BURRS ;  
 3) SURFACE ROUGHNESS : Ra1.6 ;  
 4) UNITS : mm ;  
 5) DIMENSIONS TOLERANCES  
 DECIMALS : .x ±0.3 .xx ±0.2 .xxx±0.1;  
 ANGLES : ± 5°.

THIRD ANGLE PROJECTION



APPROVED :

CUSTOMER P/N :

CHECKED :

SCALE :

DRAWING :

LJY

DATE : 2020-04-22

PAGE : 1/1



TITLE : 7/16 S/T JACK-JACK ADAPTERS

DRAWING NO. : 5A7F06S-A7F-004

COMPANY WEBSITE : www.slkcorp.com

CUSTOMER OUTLINE DRAWING