
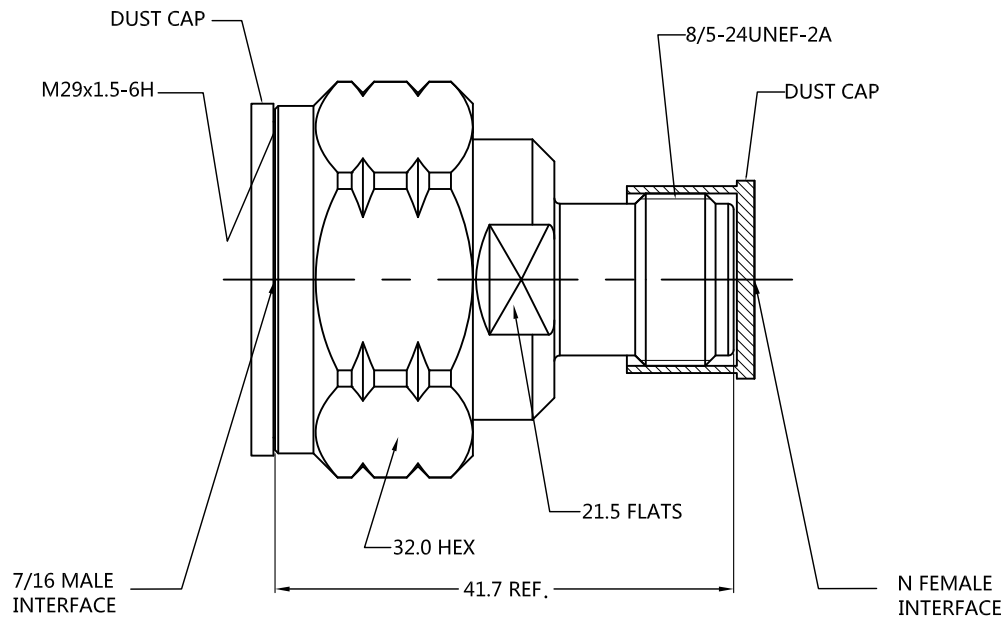


REV.	DESCRIPTION	ECN NO.	NAME	DATE	 ALL PARTS MUST MEET TO RoHS REQUIREMENTS
0	FIRST EDITION	N/A	WANG	2018-07-10	
1	NEW FRAME	N/A	JING	2020-05-21	



MATERIALS AND PLATING		UNIT: MICRO-INCHES
PART NAME	MATERIALS	PLATING
BODY	BRASS	ALBALOY 80u"/COPPER
INSULATOR	PTFE ASTM-D-1710	N/A
CONTACT PIN	BE-CU	SILVER 200u"/COPPER
DUST CAP	PE	N/A
SHELL	BRASS	ALBALOY 80u"/COPPER

ELECTRICAL CHARACTERISTICS		
IMPEDANCE	50 Ω	
VOLTAGE RATING	1000 V(rms)	
FREQUENCY RANGE	0 ~ 6 GHz	
DIELECTRIC WITHSTANDING VOLTAGE	>2500 V	
CONTACT RESISTANCE	CENTER CONTACT	<1.5 mΩ
	OUTER CONTACT	<0.2 mΩ
INSULATION RESISTANCE	>5000 MΩ	
INSERTION LOSS	<0.05x√(F GHz) dB	
RF-LEAKAGE	N/A	
VSWR	<1.10 @0-3 GHz <1.15 @ 3-6GHz	
3RD INTERMODULATION	<-170 dbc@2x43 dbm 900MHz/1800MHz	

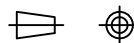
MECHANICAL CHARACTERISTICS	
FORCE TO ENGAGE AND DISENGAGE	<6 lbs (N)
CENTER CONTACT RETENTION FORCE	>45 lbs
RECOMMENDED COUPLING TORQUE	>310 in-lbs
COUPLING NUT RETENTION FORCE	>225 lbs
DURABILITY	>500 cycles

ENVIRONMENTAL PARAMETER	
TEMPERATURE RANGE	-55 °C ~ +125 °C

*** CUSTOMER OUTLINE DRAWING**

UNLESS OTHERWISE SPECIFIED:
 1) EDGES : C0.15 MAX ;
 2) REMOVE ALL BURRS ;
 3) SURFACE ROUGHNESS : Ra1.6 ;
 4) UNITS : mm ;
 5) DIMENSIONS TOLERANCES
 DECIMALS : .x ±0.2 .xx ±0.1 .xxx±0.05;
 ANGLES : ± 3°.

THIRD ANGLE PROJECTION



APPROVED :

CUSTOMER P/N :

CHECKED :

SCALE :

3 : 2

DRAWING :

JING

DATE : 2020-05-21

PAGE : 1/1



TITLE : 7/16 MALE TO N FEMALE ASAPTER

DRAWING NO. : 5A7M06S-NCF-001

COMPANY WEBSITE : www.slkcorp.com

CUSTOMER OUTLINE DRAWING