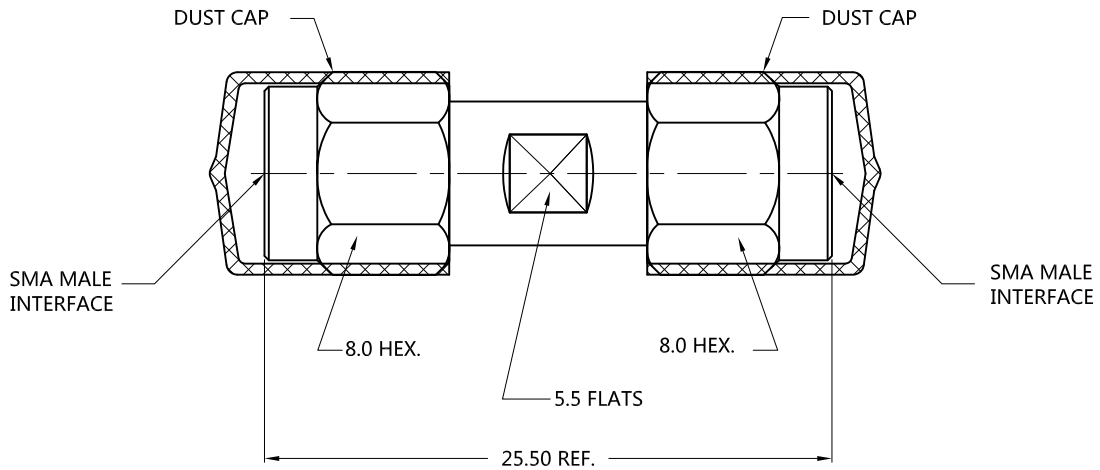


REV.	DESCRIPTION	ECN NO.	NAME	DATE
0	FIRST EDITION	N/A	LEI CHAO	2020-08-19



ALL PARTS MUST MEET TO RoHS REQUIREMENTS



MATERIALS AND PLATING		UNIT: MICRO-INCHES
PART NAME	MATERIALS	PLATING
BODY	BRASS C3604	GOLD 3 u"/NICKEL/COPPER
INSULATOR	PTFE ASTM-D-1710	N/A
CONTACT PIN	BRASS C3604	GOLD 20 u"/NICKEL/COPPER
SHELL	STAINLESS STEEL303	PASSIVATION
DUST CAP	PVC	BLACK

ELECTRICAL CHARACTERISTICS	
IMPEDANCE	50 Ω
VOLTAGE RATING	170 V(rms)
FREQUENCY RANGE	DC ~ 18 GHz
DIELECTRIC WITHSTANDING VOLTAGE	> 500 V
CONTACT RESISTANCE	CENTER CONTACT
	OUTER CONTACT
INSULATION RESISTANCE	> 5000 MΩ
INSERTION LOSS	< 0.05x√F(GHz) dB
VSWR	< 1.10@DC-12GHz < 1.25@12-18GHz
3RD INTERMODULATION	N/A

MECHANICAL CHARACTERISTICS	
FORCE TO ENGAGE AND DISENGAGE	N/A
CENTER CONTACT RETENTION FORCE	> 6 lbs
RECOMMENDED COUPLING TORQUE	7-10 in-lbs
COUPLING NUT RETENTION FORCE	> 60 lbs
DURABILITY	> 500cycles

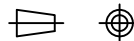
ENVIRONMENTAL PARAMETER	
TEMPERATURE RANGE	-55 °C ~ +125 °C

**\* CUSTOMER OUTLINE DRAWING**

UNLESS OTHERWISE SPECIFIED:

- 1) EDGES : C0.15 MAX ;
- 2) REMOVE ALL BURRS ;
- 3) SURFACE ROUGHNESS : Ra1.6 ;
- 4) UNITS : mm ;
- 5) DIMENSIONS TOLERANCES  
 DECIMALS : .x ±0.3 .xx ±0.2 .xxx±0.1;  
 ANGLES : ± 5°.

THIRD ANGLE PROJECTION



APPROVED :

CUSTOMER P/N :

CHECKED :

SCALE :

3 : 1

DRAWING :

DATE : 2020-08-19

PAGE : 1/1



TITLE : SMA MALE TO MALE S/T ADAPTER,50Ω

DRAWING NO. : 5MAM06S-MAM-017

COMPANY WEBSITE : www.slkcorp.com

CUSTOMER OUTLINE DRAWING