
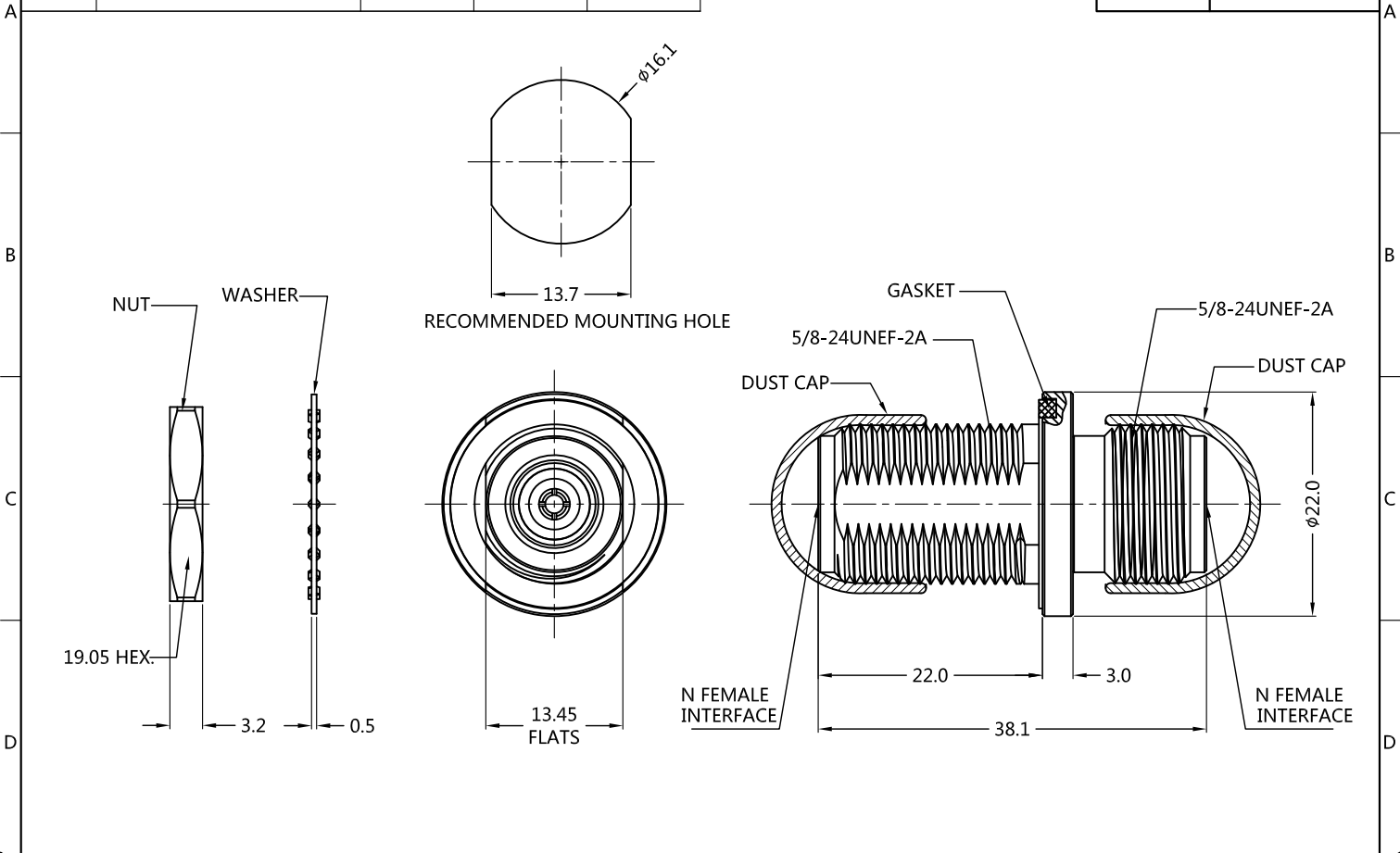


REV.	DESCRIPTION	ECN NO.	NAME	DATE	 ALL PARTS MUST MEET TO RoHS REQUIREMENTS
0	FIRST EDITION	N/A	WANG	2018-07-10	
1	UPDATE DRAWING	N/A	PY	2020-05-29	



MATERIALS AND PLATING		UNIT: MICRO-INCHES
PART NAME	MATERIALS	PLATING
BODY	BRASS C3604	NICKEL /COPPER
INSULATOR	PTFE	N/A
CONTACT PIN	BERYLLIUM COPPER	GOLD/NICKEL/COPPER
NUT/WASHER	BRASS C3604	NICKEL /COPPER
DUST CAP	PVC	N/A

ELECTRICAL CHARACTERISTICS	
IMPEDANCE	50 Ω
VOLTAGE RATING	1000 V(rms)
FREQUENCY RANGE	0 ~ 11 GHz
DIELECTRIC WITHSTANDING VOLTAGE	>2500 V
CONTACT RESISTANCE	CENTER CONTACT
	OUTER CONTACT
INSULATION RESISTANCE	>5000 MΩ
INSERTION LOSS	<0.05 \sqrt{f} (F GHz) dB
VSWR	<1.2
3RD INTERMODULATION	N/A

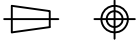
MECHANICAL CHARACTERISTICS	
FORCE TO ENGAGE AND DISENGAGE	<6 lbs
CENTER CONTACT RETENTION FORCE	> 6 lbs
RECOMMENDED COUPLING TORQUE	N/A
COUPLING NUT RETENTION FORCE	N/A
DURABILITY	>500cycles

ENVIRONMENTAL PARAMETER	
TEMPERATURE RANGE	-40 °C ~ +125 °C

CUSTOMER OUTLINE DRAWING

*** CUSTOMER OUTLINE DRAWING**

UNLESS OTHERWISE SPECIFIED:
 1) EDGES : C0.15 MAX ;
 2) REMOVE ALL BURRS ;
 3) SURFACE ROUGHNESS : Ra1.6 ;
 4) UNITS : mm ;
 5) DIMENSIONS TOLERANCES
 DECIMALS : .x ±0.3 .xx ±0.2 .xxx±0.1;
 ANGLES : ± 5°.

THIRD ANGLE PROJECTION		
APPROVED :	CUSTOMER P/N :	
CHECKED :	SCALE :	
DRAWING :	DATE :	
	PY	2020-05-07
		PAGE : 1/1



TITLE : N FEMALE TO N FEMALE BULKHEAD ADAPTER

DRAWING NO. : 5NCF06S-NCF-002

COMPANY WEBSITE : www.slkcorp.com