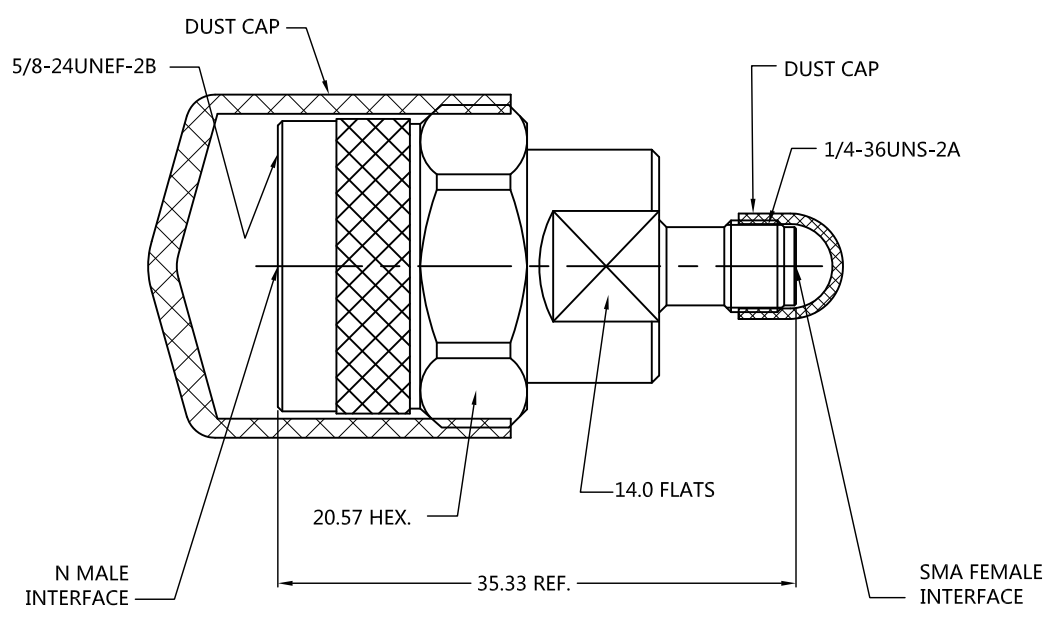


REV.	DESCRIPTION	ECN NO.	NAME	DATE
0	FIRST EDITION	N/A	WANG	2018-07-10
1	MODIFY THE VSWR AND FREQUENCY RANGE	N/A	FANG	2019-03-12
2	UPDATE DRAWING	N/A	PY	2020-05-07



ALL PARTS MUST MEET TO RoHS REQUIREMENTS



MATERIALS AND PLATING		UNIT: MICRO-INCHES
PART NAME	MATERIALS	PLATING
BODY/SHELL	BRASS C3604	ALBALOY 80u"/COPPER
INSULATOR	PTFE	N/A
CONTACT PIN	BERYLLIUM COPPER	GOLD 30u"/NICKEL/COPPER
COVER	PVC	N/A

ELECTRICAL CHARACTERISTICS	
IMPEDANCE	50 Ω
VOLTAGE RATING	175 V(rms)
FREQUENCY RANGE	0 ~ 18 GHz
DIELECTRIC WITHSTANDING VOLTAGE	> 500 V
CONTACT RESISTANCE	CENTER CONTACT
	OUTER CONTACT
INSULATION RESISTANCE	> 5000 MΩ
INSERTION LOSS	< 0.1x _r /F(GHz) dB
VSWR	< 1.20 @ 0~12.4 GHz < 1.25 @ 12.4~18 GHz
3RD INTERMODULATION	N/A

MECHANICAL CHARACTERISTICS	
FORCE TO ENGAGE AND DISENGAGE	N/A
CENTER CONTACT RETENTION FORCE	> 6 lbs
RECOMMENDED COUPLING TORQUE	9-14 in-lbs
COUPLING NUT RETENTION FORCE	> 100 lbs
DURABILITY	> 500cycles

ENVIRONMENTAL PARAMETER	
TEMPERATURE RANGE	-40 °C ~ +125 °C

*** CUSTOMER OUTLINE DRAWING**

UNLESS OTHERWISE SPECIFIED:
 1) EDGES : C0.15 MAX ;
 2) REMOVE ALL BURRS ;
 3) SURFACE ROUGHNESS : Ra1.6 ;
 4) UNITS : mm ;
 5) DIMENSIONS TOLERANCES
 DECIMALS : .x ±0.3 .xx ±0.2 .xxx±0.1;
 ANGLES : ± 5°.

THIRD ANGLE PROJECTION		
APPROVED :	CUSTOMER P/N :	
CHECKED :	SCALE :	1 : 1
DRAWING :	DATE :	2020-05-07
	PAGE :	1/1

TITLE : N MALE TO SMA FEMALE ADAPTER
 DRAWING NO. : 5NCM06S-MAF-004
 COMPANY WEBSITE : www.slkcorp.com

CUSTOMER OUTLINE DRAWING