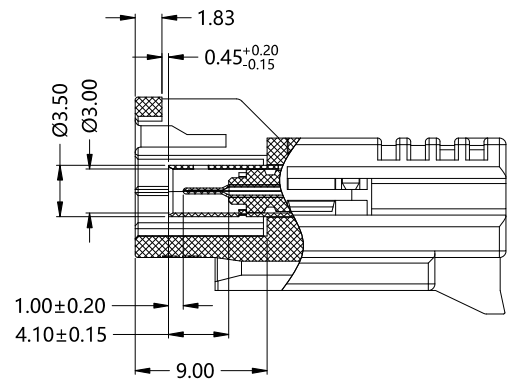
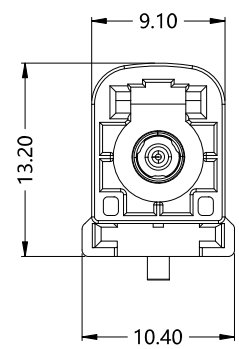
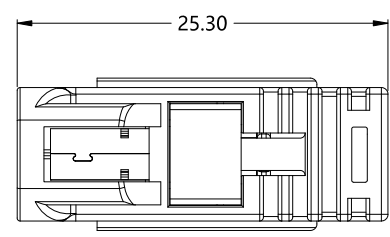
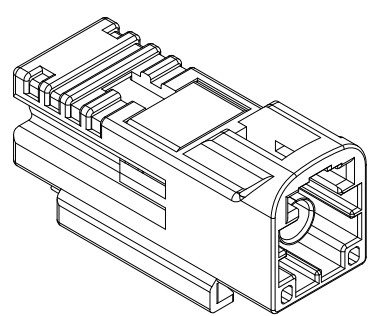


REV.	DESCRIPTION	ECN NO.	NAME	DATE
0	FIRST EDITION	N/A	Ming	2023-10-27



ALL PARTS MUST MEET TO RoHS REQUIREMENTS



MATERIALS AND PLATING		UNIT: MICRO-INCHES
PART NAME	MATERIALS	PLATING
HOUSING	PA66 30%GF	N/A
INSULATOR	MPPOPA	N/A
OUTER CONTACT	PHOSPHOR BRONZE	PL. NICKEL/COPPER
CONTACT PIN	COPPER ALLOY	PL.GOLD /NICKEL/COPPER
TPA	PA66 30%GF	N/A

CABLE TYPE : RG174

ELECTRICAL CHARACTERISTICS	
IMPEDANCE	50 Ω
VOLTAGE RATING	335 V(rms)
FREQUENCY RANGE	DC ~ 6 GHz
DIELECTRIC WITHSTANDING VOLTAGE	>750 V
CONTACT RESISTANCE	CENTER CONTACT <24 mΩ
	OUTER CONTACT <5.0 mΩ
INSULATION RESISTANCE	>1000 MΩ
INSERTION LOSS	<0.15 * √ f GHz
VSWR	20dB,DC to 3GHz 16dB,DC to 6GHz
3RD INTERMODULATION	N/A

MECHANICAL CHARACTERISTICS	
MATING FORCE	≤ 60 N
DISENGAGEMENT FORCE	≥5N
CONNECTOR DISENGAGE WITH LOCK	≥110N
Durability	≥50 cycles

ENVIRONMENTAL PARAMETER	
TEMPERATURE RANGE	-40 °C ~ +105 °C

\* CUSTOMER OUTLINE DRAWING

UNLESS OTHERWISE SPECIFIED:  
 1) EDGES : C0.15 MAX ;  
 2) REMOVE ALL BURRS ;  
 3) SURFACE ROUGHNESS : Ra1.6 ;  
 4) UNITS : mm ;  
 5) DIMENSIONS TOLERANCES  
 DECIMALS : .x ±0.3 .xx ±0.2 .xxx±0.1;  
 ANGLES : ± 5°.

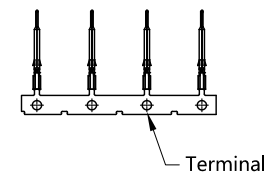
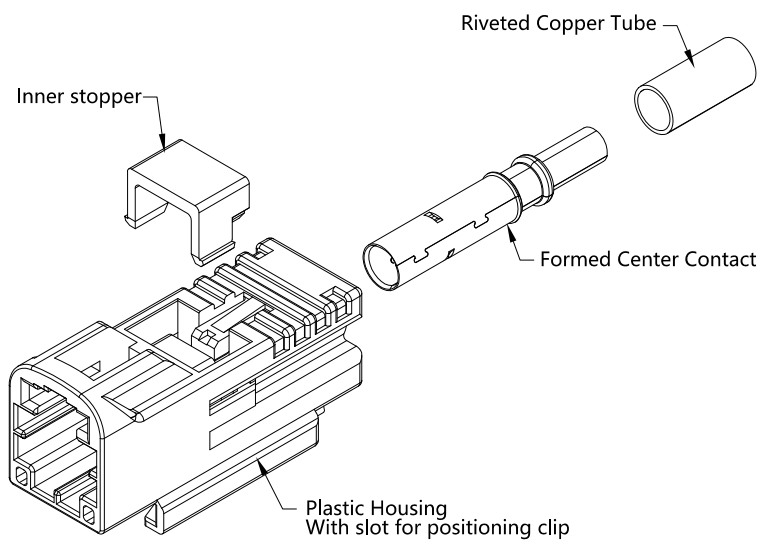
THIRD ANGLE PROJECTION	
APPROVED :	CUSTOMER P/N :
CHECKED :	SCALE :
DRAWING :	DATE :
PAGE : 1/2	

TITLE : MINI FAKRA MALE FOR RG174 CABLE  
 DRAWING NO. : 5MKM1\*S-A02-100  
 COMPANY WEBSITE : www.slkcorp.com

REV.	DESCRIPTION	ECN NO.	NAME	DATE
0	FIRST EDITION	N/A	Ming	2023-10-27



ALL PARTS MUST MEET TO RoHS REQUIREMENTS



Mechanical and Color Coding		
SLK P/N	Color	Coding
5MKM1AS-A02-100	Black	A
5MKM1BS-A02-100	White	B
5MKM1CS-A02-100	Blue	C
5MKM1DS-A02-100	Bordeaux Violet	D
5MKM1ES-A02-100	Green	E
5MKM1FS-A02-100	Brown	F
5MKM1ZS-A02-100	Water Blue	Z

MATERIALS AND PLATING		UNIT: MICRO-INCHES
PART NAME	MATERIALS	PLATING
HOUSING	PA66 30%GF	N/A
INSULATOR	MPPOPA	N/A
OUTER CONTACT	PHOSPHOR BRONZE	PL. NICKEL/COPPER
CONTACT PIN	COPPER ALLOY	PL.GOLD /NICKEL/COPPER
TPA	PA66 30%GF	N/A

CABLE TYPE : RG174

ELECTRICAL CHARACTERISTICS	
IMPEDANCE	50 Ω
VOLTAGE RATING	335 V(rms)
FREQUENCY RANGE	DC ~ 6 GHz
DIELECTRIC WITHSTANDING VOLTAGE	> 750 V
CONTACT RESISTANCE	CENTER CONTACT < 24 mΩ
	OUTER CONTACT < 5.0 mΩ
INSULATION RESISTANCE	> 1000 MΩ
INSERTION LOSS	< 0.15 * √ f GHz
VSWR	20dB,DC to 3GHz 16dB,DC to 6GHz
3RD INTERMODULATION	N/A

MECHANICAL CHARACTERISTICS	
MATING FORCE	≤ 60 N
DISENGAGEMENT FORCE	≥ 5N
CONNECTOR DISENGAGE WITH LOCK	≥ 110N
Durability	≥ 50 cycles

ENVIRONMENTAL PARAMETER	
TEMPERATURE RANGE	-40 °C ~ +105 °C

**\* CUSTOMER OUTLINE DRAWING**

UNLESS OTHERWISE SPECIFIED:  
 1) EDGES : C0.15 MAX ;  
 2) REMOVE ALL BURRS ;  
 3) SURFACE ROUGHNESS : Ra1.6 ;  
 4) UNITS : mm ;  
 5) DIMENSIONS TOLERANCES  
 DECIMALS : .x ±0.3 .xx ±0.2 .xxx±0.1;  
 ANGLES : ± 5°.

THIRD ANGLE PROJECTION	
APPROVED :	CUSTOMER P/N :
CHECKED :	SCALE : 1 : 1
DRAWING :	DATE : 2023-10-27
PAGE : 2/2	



TITLE : MINI FAKRA MALE FOR RG174 CABLE  
 DRAWING NO. : 5MKM1\*S-A02-100  
 COMPANY WEBSITE : www.slkcorp.com