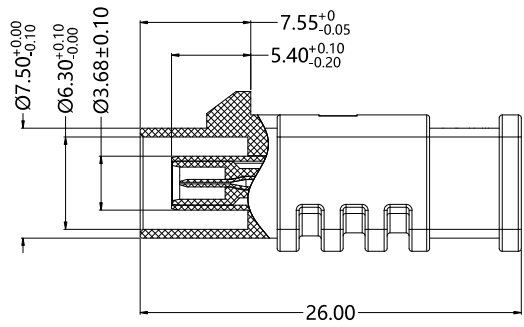
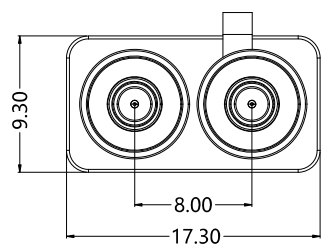
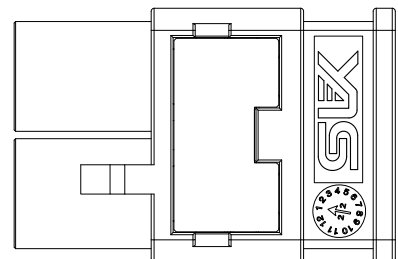
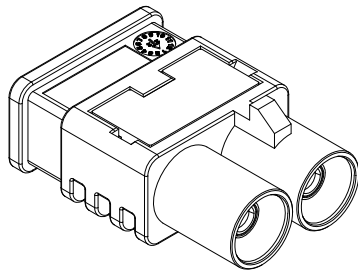


REV.	DESCRIPTION	ECN NO.	NAME	DATE
0	FIRST EDITION	N/A	Ming	2023-09-27



ALL PARTS MUST MEET TO RoHS REQUIREMENTS



MATERIALS AND PLATING		UNIT: MICRO-INCHES
PART NAME	MATERIALS	PLATING
BODY	ZINC ALLOY	TIN PLATING THICK 100u"
INSULATOR	PPOPA	N/A
CONTACT PIN	COPPER ALLOY	PL.GOLD 1u"/COPPER
INNER STOPPER	MPPO/PA	N/A
HOUSING	MPPO/PA	N/A
COPPER TUBE	C3602	Nickel PLATING THICK 80u"
CABLE TYPE: RG174		

ELECTRICAL CHARACTERISTICS	
IMPEDANCE	50 Ω
VOLTAGE RATING	250 V(rms)
FREQUENCY RANGE	DC ~ 6 GHz
DIELECTRIC WITHSTANDING VOLTAGE	> 800 V
CONTACT RESISTANCE	CENTER CONTACT
	OUTER CONTACT
INSULATION RESISTANCE	> 1000 MΩ
INSERTION LOSS	< 0.15 * √ f GHz
VSWR	< 1.35 @ DC~3 GHz < 1.45 @ 3~6 GHz

MECHANICAL CHARACTERISTICS	
MATING FORCE	≤ 25 N
DISENGAGEMENT FORCE	≥ 2N
CONNECTOR DISENGAGE WITH LOCK	≥ 110N
UNMATING FORCE WITH LOCK DISENGAGED	≤ 75 N
DURABILITY	≥ 100cycles

ENVIRONMENTAL PARAMETER	
TEMPERATURE RANGE	-40 °C ~ +105 °C

\* CUSTOMER OUTLINE DRAWING

UNLESS OTHERWISE SPECIFIED:  
 1) EDGES : C0.15 MAX ;  
 2) REMOVE ALL BURRS ;  
 3) SURFACE ROUGHNESS : Ra1.6 ;  
 4) UNITS : mm ;  
 5) DIMENSIONS TOLERANCES  
 DECIMALS : .x ±0.3 .xx ±0.2 .xxx±0.1;  
 ANGLES : ± 5°.

THIRD ANGLE PROJECTION	
APPROVED :	CUSTOMER P/N :
CHECKED :	SCALE :
DRAWING :	DATE :
PAGE : 1/2	

TITLE : FAKRA MALE,DOUBLE 8mm FOR CABLE RG174  
 DRAWING NO. : 5FK2M1\*S-A02-100  
 COMPANY WEBSITE : www.slkcorp.com

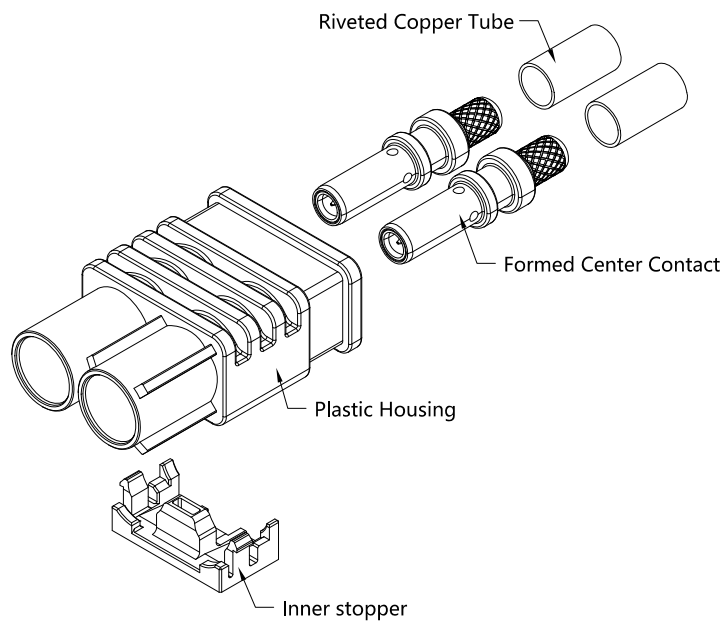
REV.	DESCRIPTION	ECN NO.	NAME	DATE
0	FIRST EDITION	N/A	Ming	2023-09-27



ALL PARTS MUST MEET TO RoHS REQUIREMENTS

**Mechanical and Color Coding**

SLK P/N	Color	Coding
5FK2M1AS-A02-100	Deep Black	A
5FK2M1BS-A02-100	Signal White	B
5FK2M1CS-A02-100	Signal Blue	C
5FK2M1DS-A02-100	Bordeaux Violet	D
5FK2M1ES-A02-100	Leaf Green	E
5FK2M1FS-A02-100	Brown	F
5FK2M1GS-A02-100	Blue Grey	G
5FK2M1HS-A02-100	Heather Violet	H
5FK2M1IS-A02-100	Beige	I
5FK2M1KS-A02-100	Curry Yellow	K
5FK2M1LS-A02-100	Carmine-red	L
5FK2M1MS-A02-100	Pastel orange	M
5FK2M1NS-A02-100	Pastel green	N
5FK2M1ZS-A02-100	Water Blue	Z



MATERIALS AND PLATING		UNIT: MICRO-INCHES
PART NAME	MATERIALS	PLATING
BODY	ZINC ALLOY	TIN PLATING THICK 100u"
INSULATOR	PPOPA	N/A
CONTACT PIN	COPPER ALLOY	PL.GOLD /COPPER
INNER STOPPER	MPPO/PA	N/A
HOUSING	MPPO/PA	N/A
COPPER TUBE	C3602	Nickel PLATING THICK 80u"
CABLE TYPE: RG174		

ELECTRICAL CHARACTERISTICS	
IMPEDANCE	50 Ω
VOLTAGE RATING	250 V(rms)
FREQUENCY RANGE	DC ~ 6 GHz
DIELECTRIC WITHSTANDING VOLTAGE	>800 V
CONTACT RESISTANCE	CENTER CONTACT <5.0 mΩ
	OUTER CONTACT <2.5 mΩ
INSULATION RESISTANCE	>1000 MΩ
INSERTION LOSS	<0.15 * √ f GHz
VSWR	<1.35 @ DC~3 GHz <1.45 @ 3~6 GHz

MECHANICAL CHARACTERISTICS	
MATING FORCE	≤ 25 N
DISENGAGEMENT FORCE	≥2N
CONNECTOR DISENGAGE WITH LOCK	≥110N
UNMATING FORCE WITH LOCK DISENGAGED	≤ 75 N
DURABILITY	≥100cycles

ENVIRONMENTAL PARAMETER	
TEMPERATURE RANGE	-40 °C~+105 °C

**\* CUSTOMER OUTLINE DRAWING**

UNLESS OTHERWISE SPECIFIED:  
 1) EDGES : C0.15 MAX ;  
 2) REMOVE ALL BURRS ;  
 3) SURFACE ROUGHNESS : Ra1.6 ;  
 4) UNITS : mm ;  
 5) DIMENSIONS TOLERANCES  
 DECIMALS : .x ±0.3 .xx ±0.2 .xxx±0.1;  
 ANGLES : ± 5°.

THIRD ANGLE PROJECTION	
APPROVED :	CUSTOMER P/N :
CHECKED :	SCALE :
DRAWING :	DATE :
PAGE : 2/2	

TITLE : FAKRA MALE,DOUBLE 8mm FOR CABLE RG174  
 DRAWING NO. : 5FK2M1\*S-A02-100  
 COMPANY WEBSITE : www.slkcorp.com