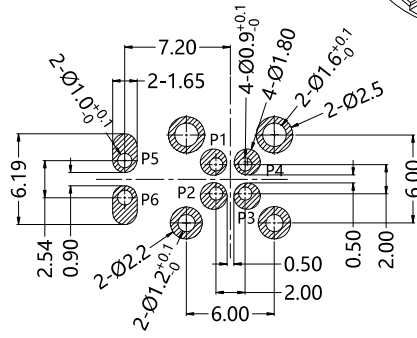
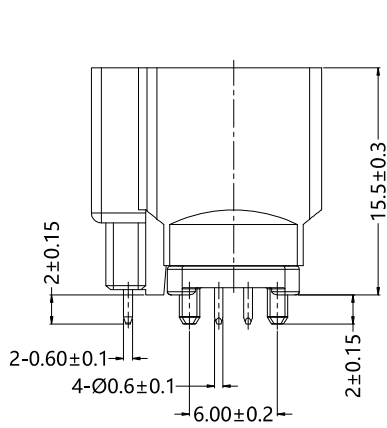
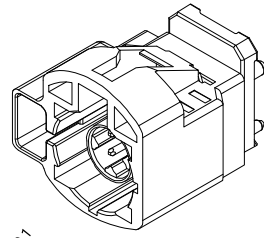


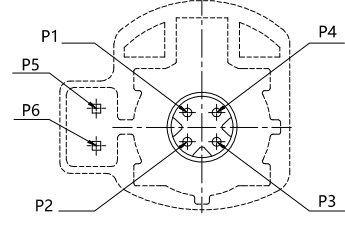
REV.	DESCRIPTION	ECN NO.	NAME	DATE					
0	FIRST EDITION	N/A	Ming	2023-09-27					
1	修正阻抗	N/A	Ming	2023-11-01					



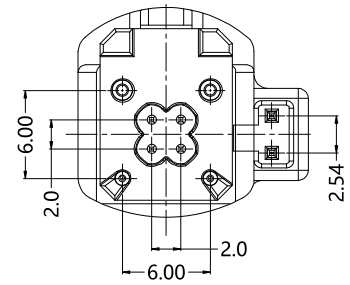
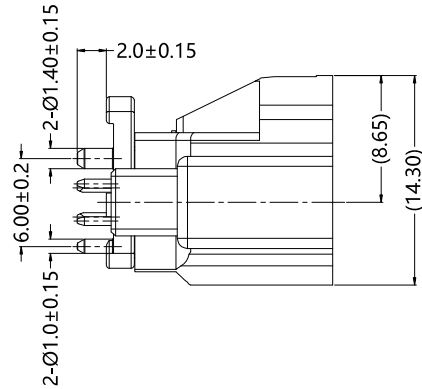
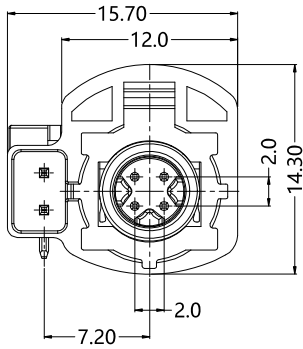
ALL PARTS MUST MEET TO RoHS REQUIREMENTS



RECOMMENDED PCB LAYOUT TOLERANCE: ±0.05



PINING STANDARD



MATERIALS AND PLATING		UNIT: MICRO-INCHES
PART NAME	MATERIALS	PLATING
BODY	ZINC ALLOY	PL. TIN /NICKEL/COPPER
INSULATOR	LCP, BLACK	N/A
CONTACT PIN	COPPER ALLOY	PL.GOLD /COPPER
HOUSING	High temperature Thermoplastic	N/A

ELECTRICAL CHARACTERISTICS	
IMPEDANCE	100 Ω
VOLTAGE RATING	250 V(rms)
FREQUENCY RANGE	DC ~ 2 GHz
DIELECTRIC WITHSTANDING VOLTAGE	> 500 V
CONTACT RESISTANCE	CENTER CONTACT < 10 mΩ
	OUTER CONTACT < 7.5 mΩ
INSULATION RESISTANCE	> 1000 MΩ
INSERTION LOSS	< 0.15 * √ f GHz

MECHANICAL CHARACTERISTICS	
MATING FORCE	≤ 25 N
DISENGAGEMENT FORCE	> 5N, < 25N
CONNECTOR DISENGAGE WITH LOCK	≥ 110N
CODING EFFICIENCY	> 80 N
DURABILITY	≥ 25cycles

ENVIRONMENTAL PARAMETER	
TEMPERATURE RANGE	-40 °C ~ +105 °C

* CUSTOMER OUTLINE DRAWING

UNLESS OTHERWISE SPECIFIED:
 1) EDGES : C0.15 MAX ;
 2) REMOVE ALL BURRS ;
 3) SURFACE ROUGHNESS : Ra1.6 ;
 4) UNITS : mm ;
 5) DIMENSIONS TOLERANCES
 DECIMALS : .x ±0.3 .xx ±0.2 .xxx±0.1;
 ANGLES : ± 5°.

THIRD ANGLE PROJECTION	
APPROVED :	CUSTOMER P/N :
CHECKED :	SCALE :
DRAWING :	DATE :
PAGE : 1/2	

TITLE : HSD MALE S/T 4+2Pin FOR PCB WITH PCB HOUSING
 DRAWING NO. : 10HS2M2*S-P46-100
 COMPANY WEBSITE : www.slkcorp.com

REV.	DESCRIPTION	ECN NO.	NAME	DATE
0	FIRST EDITION	N/A	Ming	2023-09-27
1	修正阻抗	N/A	Ming	2023-11-01



ALL PARTS MUST MEET TO RoHS REQUIREMENTS

P/N LIST

SLK P/N	PLUG	CODING	COLOR	RAL
10HS2M2AS-P46-100		A	BLACK	9005
10HS2M2BS-P46-100		B	WHITE	9001
10HS2M2CS-P46-100		C	BLUE	5005
10HS2M2DS-P46-100		D	CLARET	4004
10HS2M2ES-P46-100		E	GREEN	6002
10HS2M2FS-P46-100		F	BROWN	8011
10HS2M2ZS-P46-100		Z	WATER BLUE	5021

SLK P/N	PLUG	CODING	COLOR	RAL
10HS2M2GS-P46-100		G	GREY	7031
10HS2M2HS-P46-100		H	VIOLET	4003
10HS2M2JS-P46-100		J	BEIGE	1001
10HS2M2KS-P46-100		K	CURRY	1027
10HS2M2LS-P46-100		L	YELLOW GREEN	6018
10HS2M2MS-P46-100		M	PASTEL ORANGE	2003
10HS2M2OS-P46-100		O	LIGHT GREEN	6027

MATERIALS AND PLATING		UNIT: MICRO-INCHES
PART NAME	MATERIALS	PLATING
BODY	ZINC ALLOY	PL. TIN /NICKEL/COPPER
INSULATOR	LCP, BLACK	N/A
CONTACT PIN	COPPER ALLOY	PL.GOLD /COPPER
HOUSING	High temperature Thermoplastic	N/A

ELECTRICAL CHARACTERISTICS	
IMPEDANCE	100 Ω
VOLTAGE RATING	250 V(rms)
FREQUENCY RANGE	DC ~ 2 GHz
DIELECTRIC WITHSTANDING VOLTAGE	> 500 V
CONTACT RESISTANCE	CENTER CONTACT < 10 mΩ
	OUTER CONTACT < 7.5 mΩ
INSULATION RESISTANCE	> 1000 MΩ
INSERTION LOSS	< 0.15 * √ f GHz

MECHANICAL CHARACTERISTICS	
MATING FORCE	≤ 25 N
DISENGAGEMENT FORCE	> 5N, < 25N
CONNECTOR DISENGAGE WITH LOCK	≥ 110N
CODING EFFICIENCY	> 80 N
DURABILITY	≥ 25cycles

ENVIRONMENTAL PARAMETER	
TEMPERATURE RANGE	-40 °C ~ +105 °C

* CUSTOMER OUTLINE DRAWING

UNLESS OTHERWISE SPECIFIED: 1) EDGES : C0.15 MAX ; 2) REMOVE ALL BURRS ; 3) SURFACE ROUGHNESS : Ra1.6 ; 4) UNITS : mm ; 5) DIMENSIONS TOLERANCES DECIMALS : .x ±0.3 .xx ±0.2 .xxx±0.1; ANGLES : ± 5°.	THIRD ANGLE PROJECTION			
	APPROVED :	CUSTOMER P/N :		TITLE : HSD MALE S/T 4+2Pin FOR PCB WITH PCB HOUSING
	CHECKED :	SCALE :		DRAWING NO. :
	DRAWING :	DATE : 2023-11-01		10HS2M2*S-P46-100
		PAGE : 2/2	COMPANY WEBSITE : www.slkcorp.com	