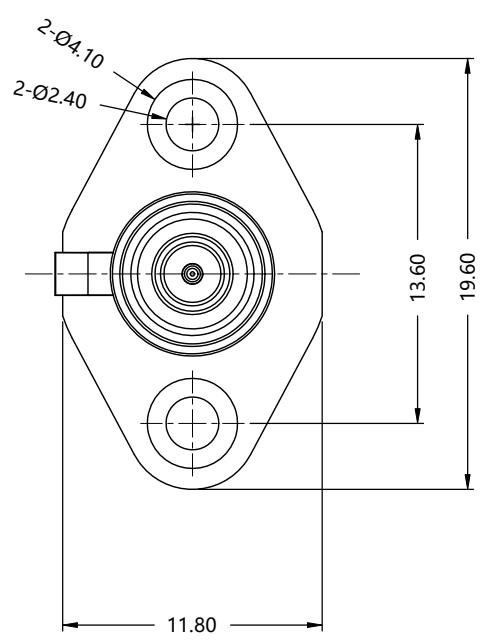
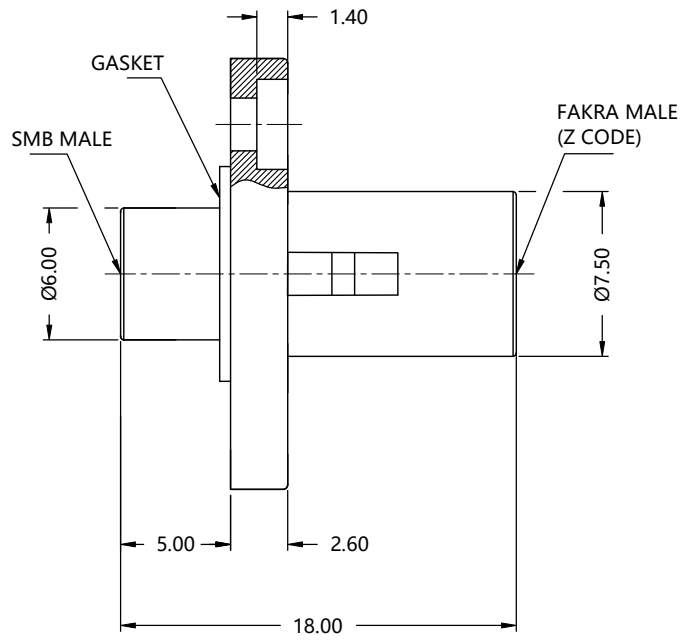


REV.	DESCRIPTION	ECN NO.	NAME	DATE
0	FIRST EDITION	N/A	Liu	2022-11-23



ALL PARTS MUST MEET TO RoHS REQUIREMENTS



MATERIALS AND PLATING		UNIT: MICRO-INCHES
PART NAME	MATERIALS	PLATING
BODY	ZINC ALLOY	NICKEL 100 u" /COPPER
INSULATOR	PTFE ASTM-D-1710	N/A
CONTACT PIN	PHOSPHOR BRONZE	GOLD 5 u"/NICKEL/COPPER
GASKET	SILICON	N/A

ELECTRICAL CHARACTERISTICS	
IMPEDANCE	50 Ω
VOLTAGE RATING	250 V(rms)
FREQUENCY RANGE	DC ~ 6 GHz
DIELECTRIC WITHSTANDING VOLTAGE	>800 V
CONTACT RESISTANCE	CENTER CONTACT <5.0 mΩ
	OUTER CONTACT <2.5 mΩ
INSULATION RESISTANCE	>1000 MΩ
VSWR	<1.20 @ DC~4 GHz
	<1.30 @ 4~6 GHz
INSERTION LOSS	<0.3 dB @ DC~4 GHz
	<0.45 dB @ 4~6 GHz

MECHANICAL CHARACTERISTICS	
MATING FORCE	≤ 25 N
DISENGAGEMENT FORCE	≥2N
CONNECTOR DISENGAGE WITH LOCK	≥110N
UNMATING FORCE WITH LOCK DISENGAGED	≤ 75 N
DURABILITY	≥100cycles

ENVIRONMENTAL PARAMETER	
TEMPERATURE RANGE	-40 °C~+105 °C

CUSTOMER OUTLINE DRAWING

\* CUSTOMER OUTLINE DRAWING

UNLESS OTHERWISE SPECIFIED:  
 1) EDGES : C0.15 MAX ;  
 2) REMOVE ALL BURRS ;  
 3) SURFACE ROUGHNESS : Ra1.6 ;  
 4) UNITS : mm ;  
 5) DIMENSIONS TOLERANCES  
 DECIMALS : .x ±0.3 .xx ±0.2 .xxx±0.1;  
 ANGLES : ± 5°.

THIRD ANGLE PROJECTION	
APPROVED :	CUSTOMER P/N :
CHECKED :	SCALE : 1 : 1
DRAWING :	DATE : 2022-11-23
PAGE : 1/2	

TITLE : SMB MALE TO FAKRA MALE ADAPTER,50Ω  
 DRAWING NO. : 5MBFFKM-001  
 COMPANY WEBSITE : www.slkcorp.com